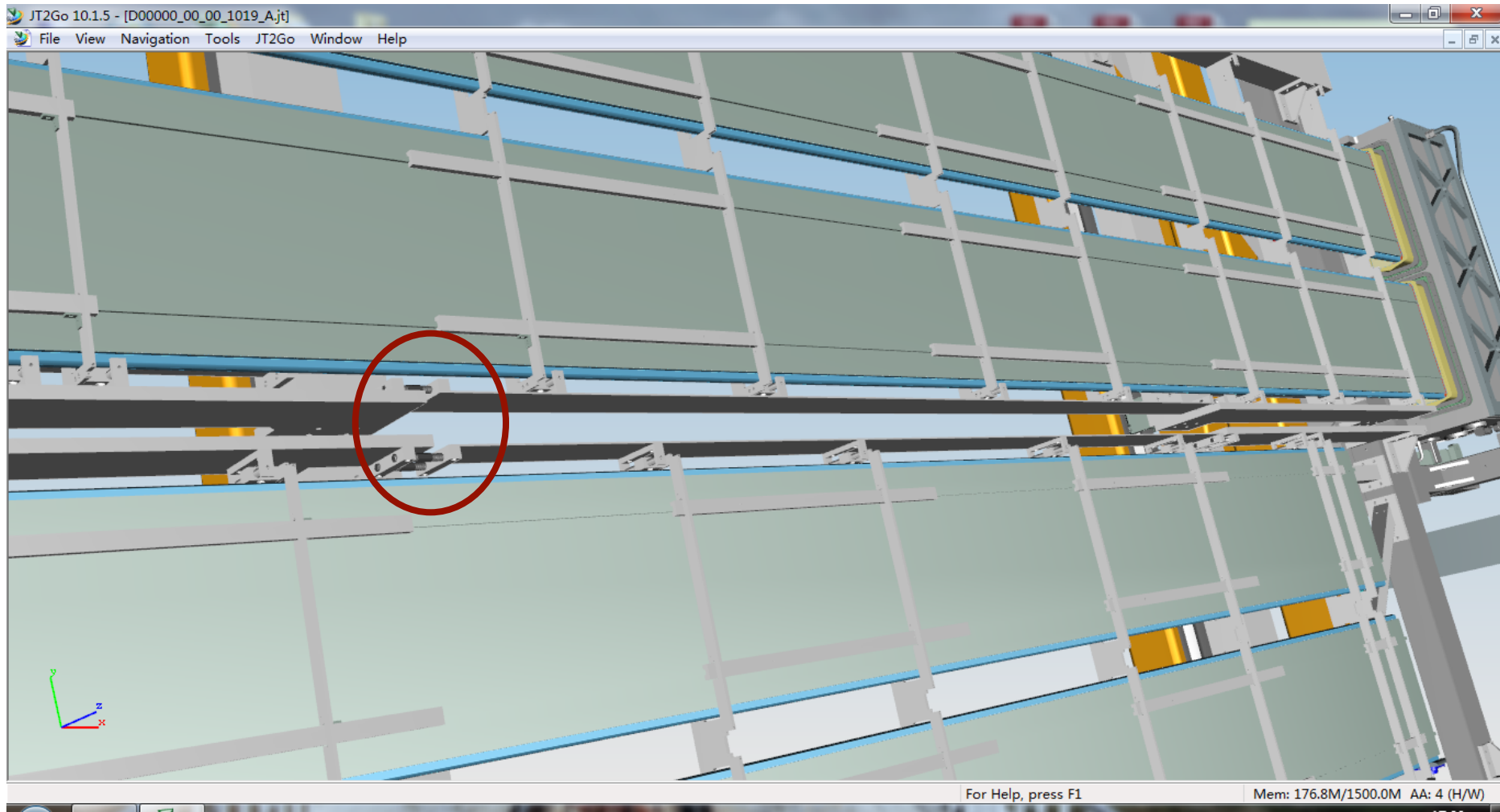


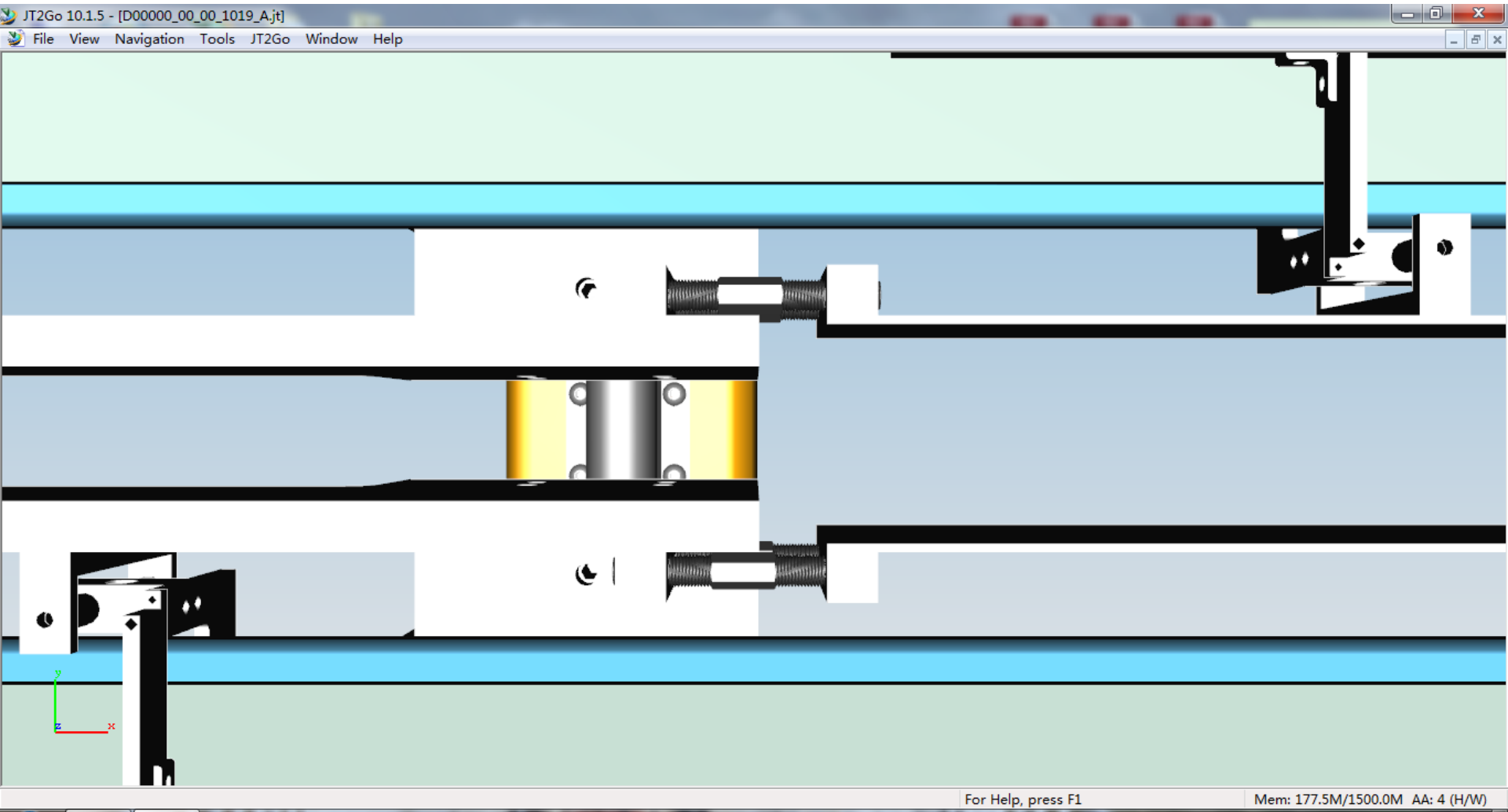
DIRC as-built geometry updates

- Refined external aluminum supports
- A model of the internal structure of the bar box is now implemented
 - Information source: 1997 engineering prints from SLAC + Babar DIRC paper (DOI: 10.1016/j.nima.2004.08.129)
- All changes updated in the DIRC_HDDS.xml file of the dirc_commissioning_2018 branch

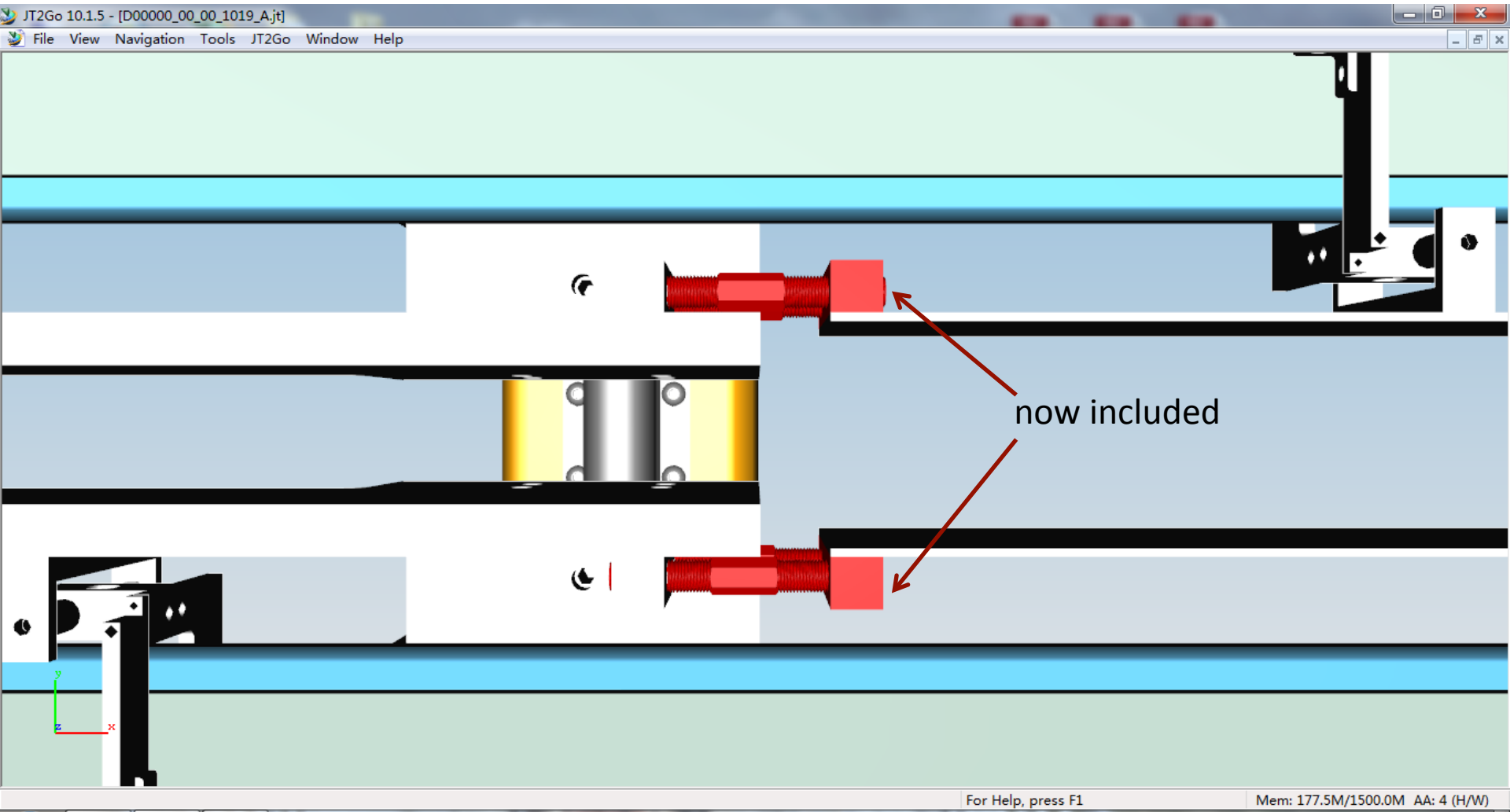
Questions from last meeting on the near-support-beam structures



Questions from last meeting on the near-support-beam structures (looking directly upstream)



Questions from last meeting on the near-support-beam structures (looking directly upstream)



Bar box anatomy

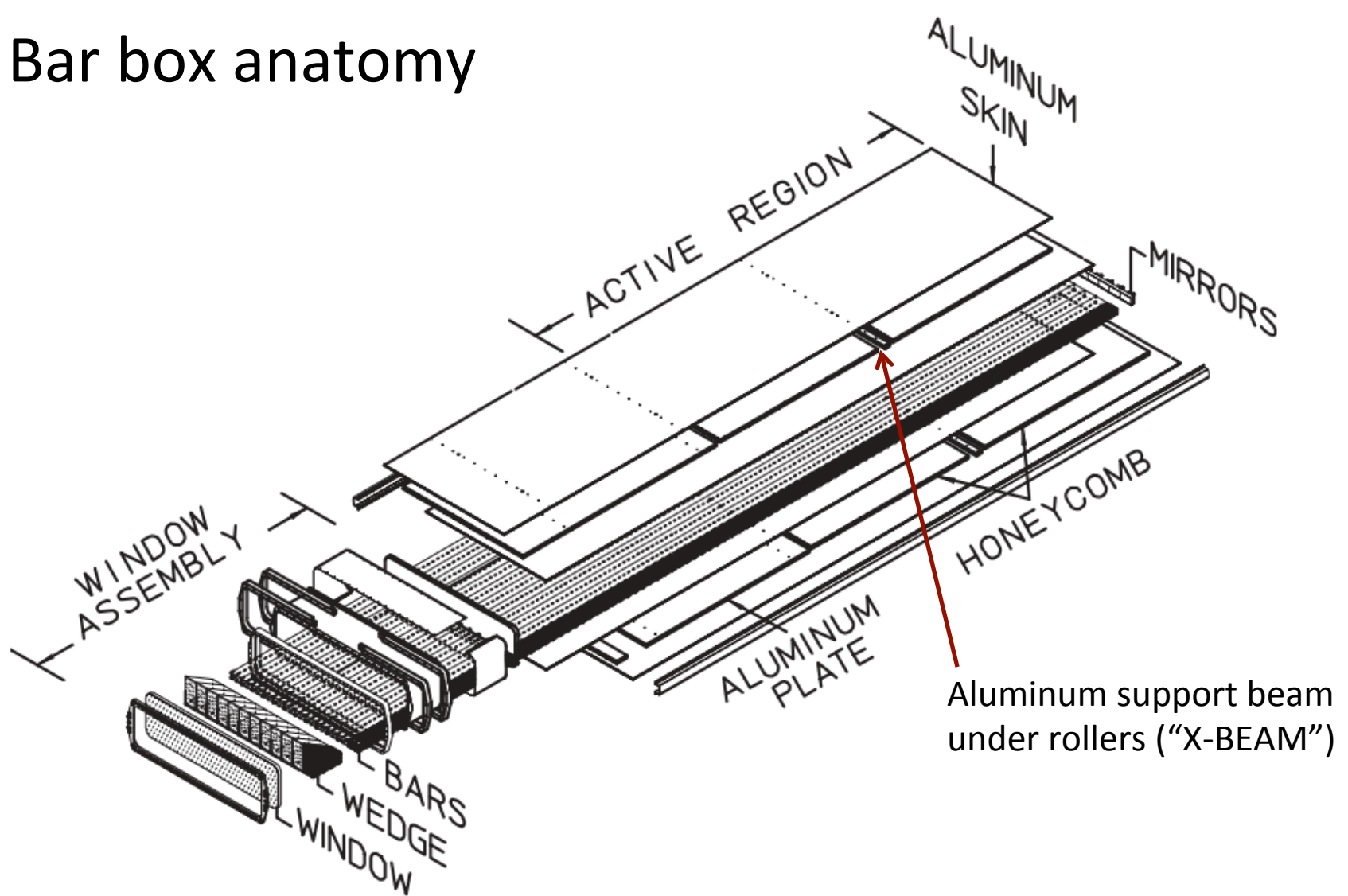
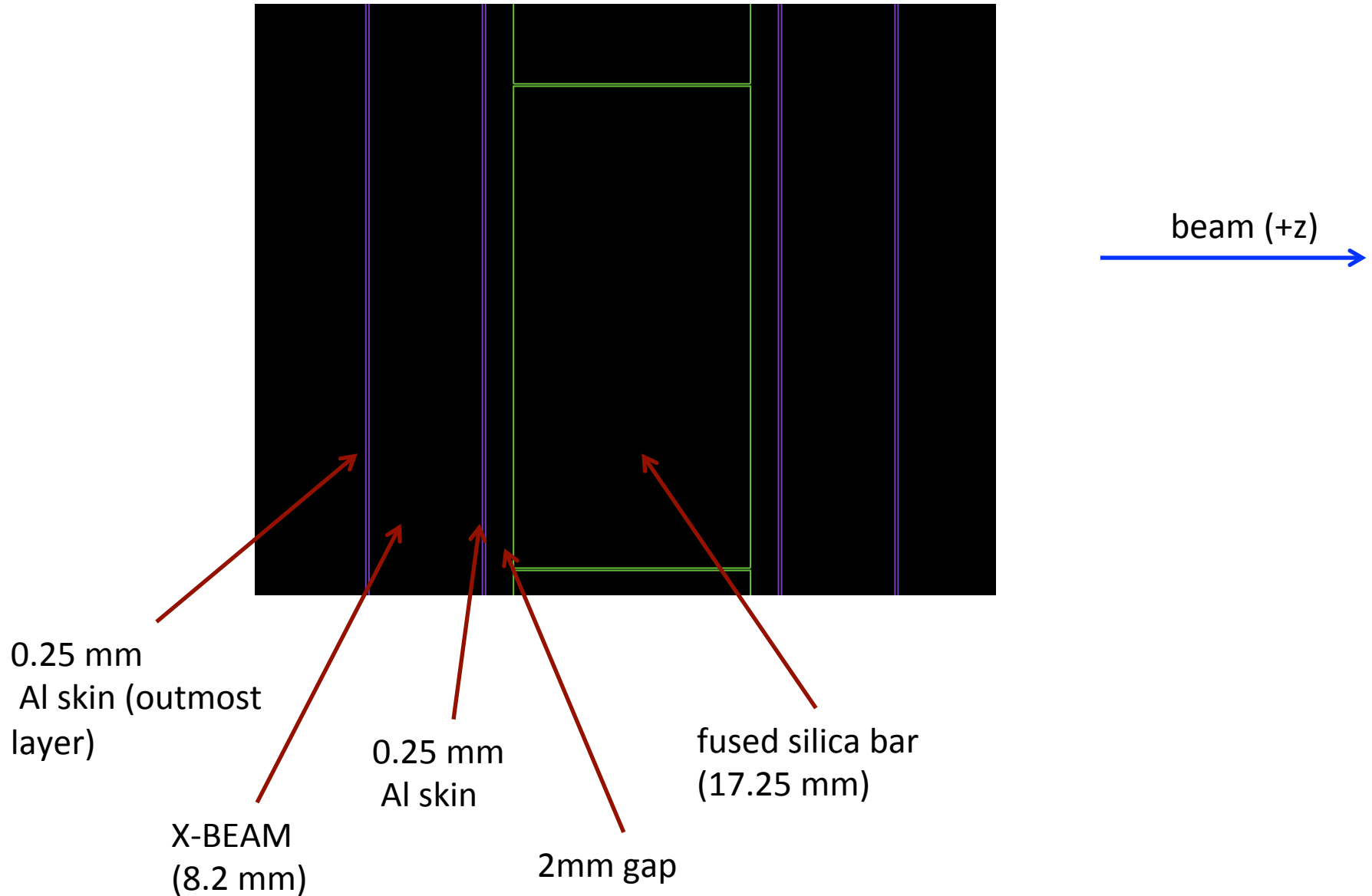


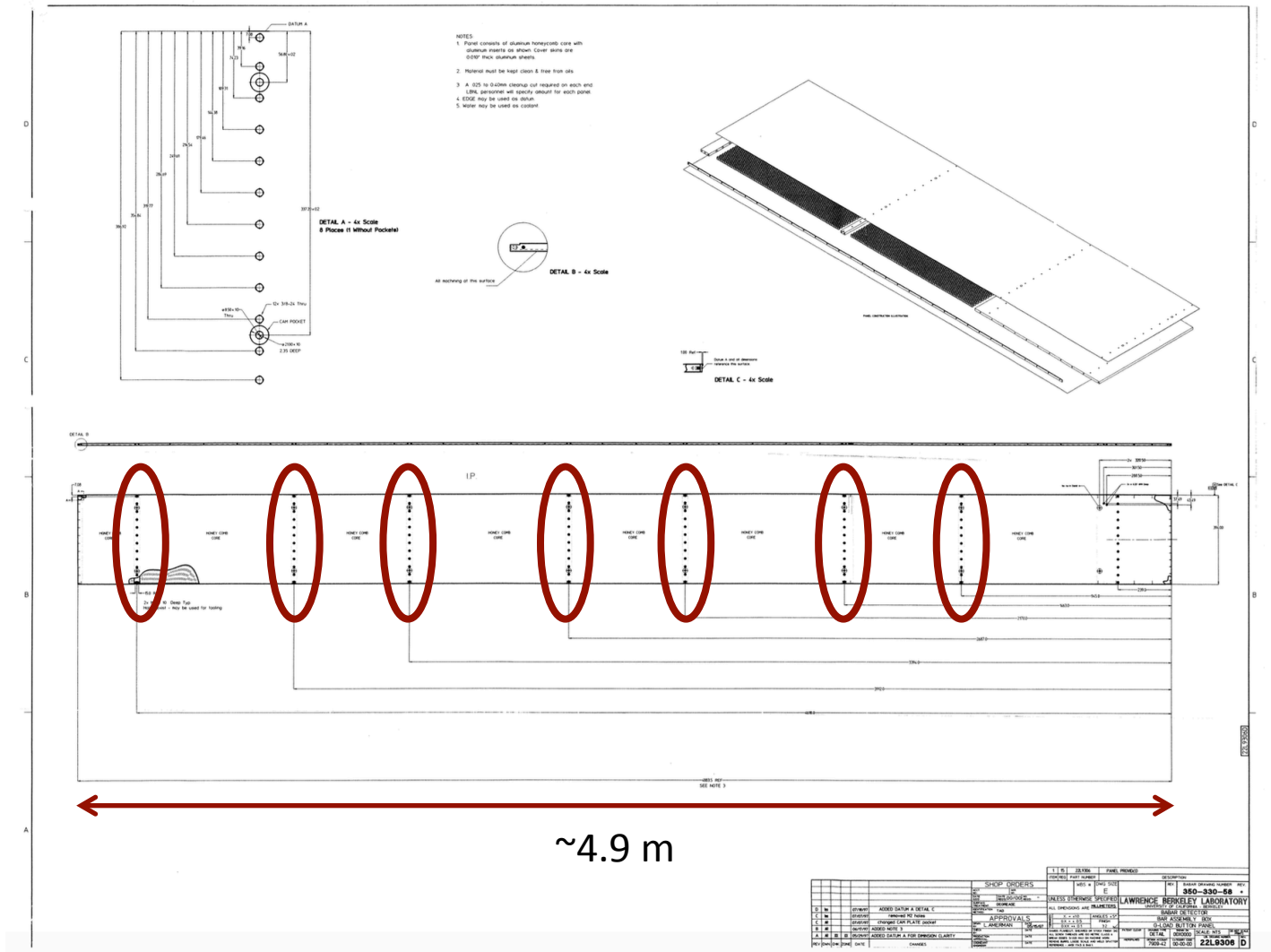
Fig. 25. 3D schematic drawing of a bar box showing the active region, mirror end and window ends.

Bar box anatomy: side view in simulation



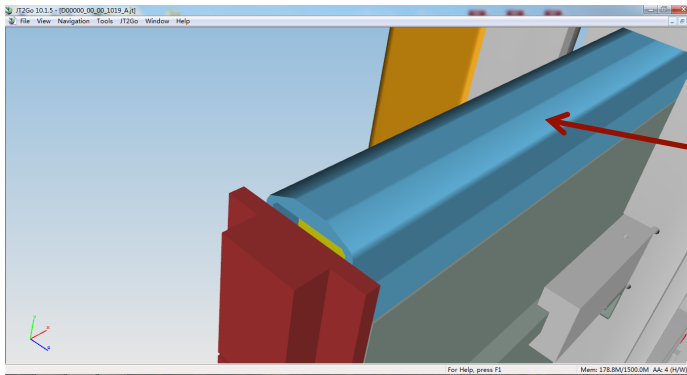
Bar box anatomy: top view in engineering prints

X-BEAM locations from here:



What's missing/different?

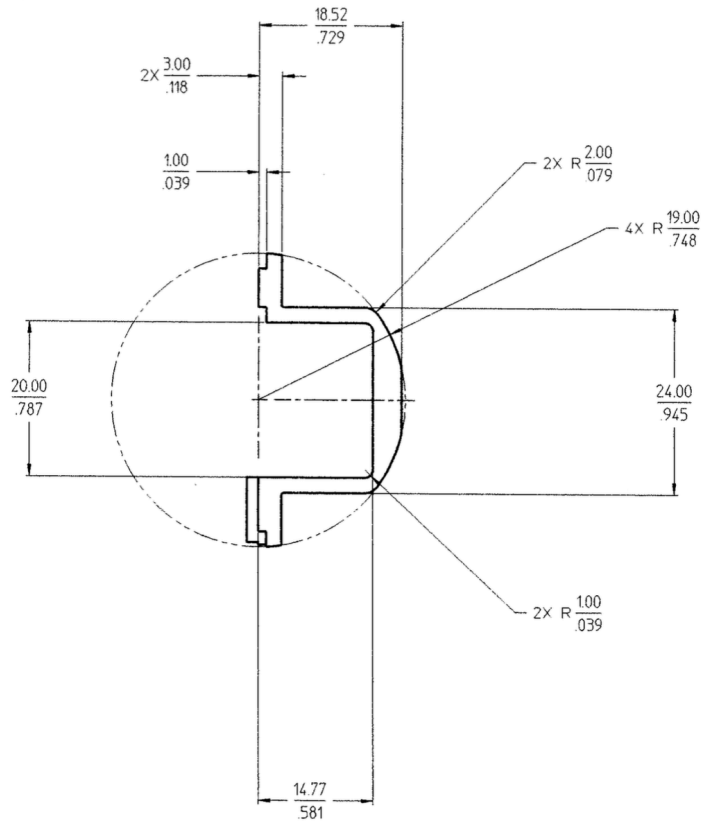
- Honeycombs
 - $0.0024 X_0$ in z-direction, $\sim 0.21\text{mm}$ of Al (Table 2 of Babar DIRC paper)
- Simplified model for the two long edges



blue structure here

Bar box anatomy: long edges

SLAC prints



HDGeant4 visualization

