

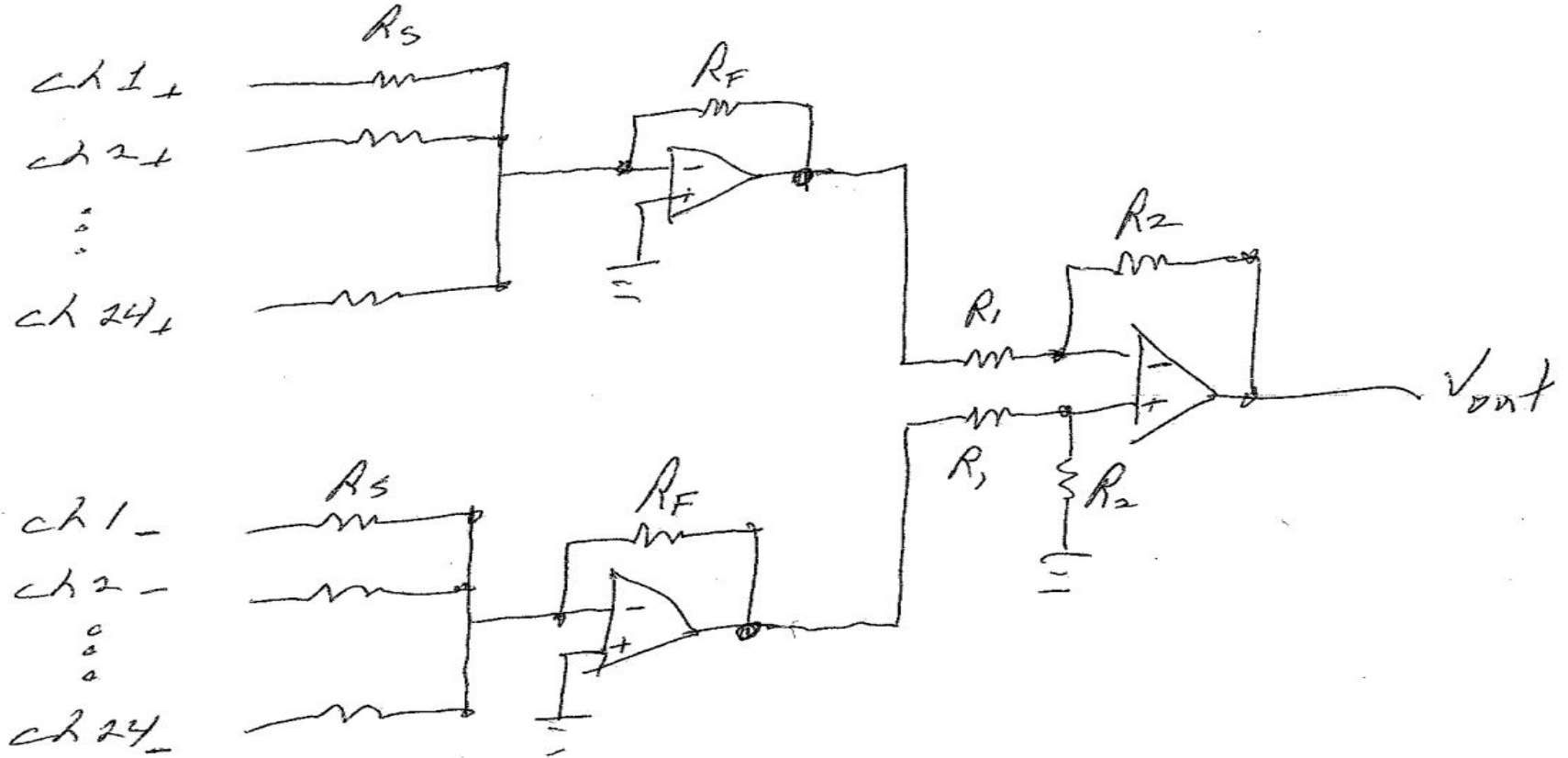
# MWPC Sense Board Debugger

A Project by Alexander Moschella

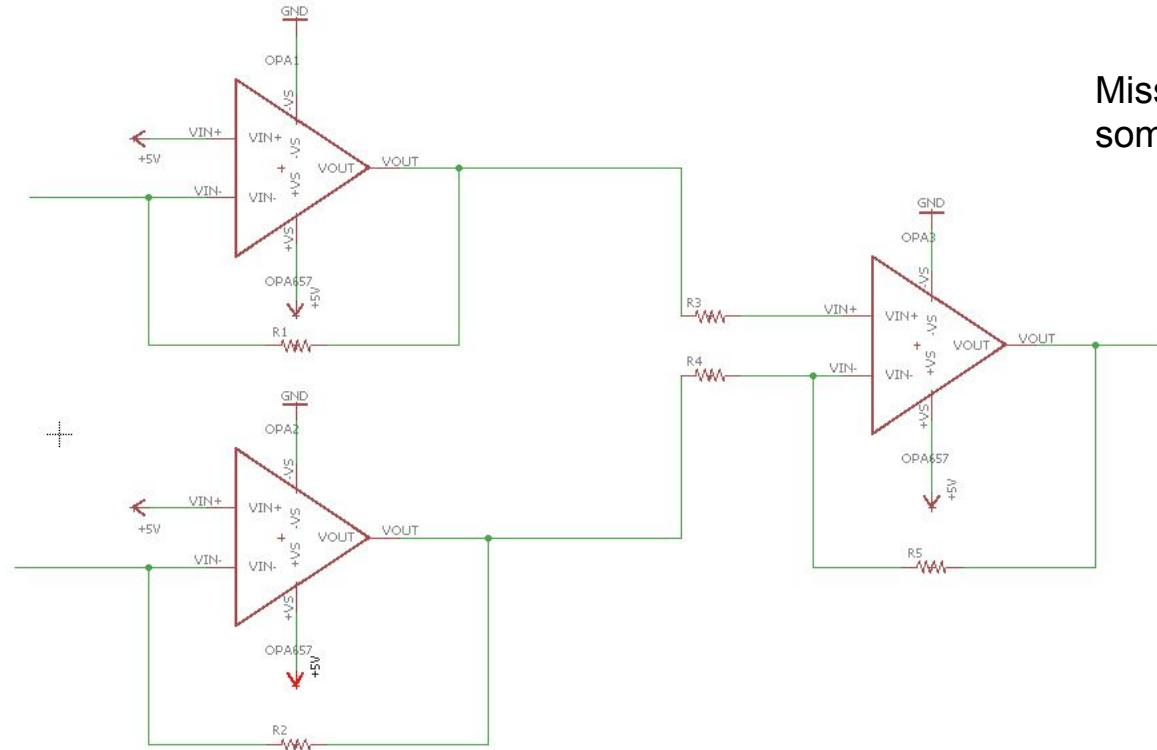
# Objective

- Jefferson Lab will take the ADC back from the MENP soon, leaving the MENP with no way to read the signals from the sense boards
- In order to rectify this problem Professor Miskimen Proposed a design with two trans-impedance Amplifiers and a differential amplifier, which will produce a signal readable by an oscilloscope
- The board will be designed in Autodesk Eagle
- Assembly and testing will be done by Alexander Moschella

# Circuit Sketch



# Preliminary Schematic



Missing interfaces as well as some capacitors