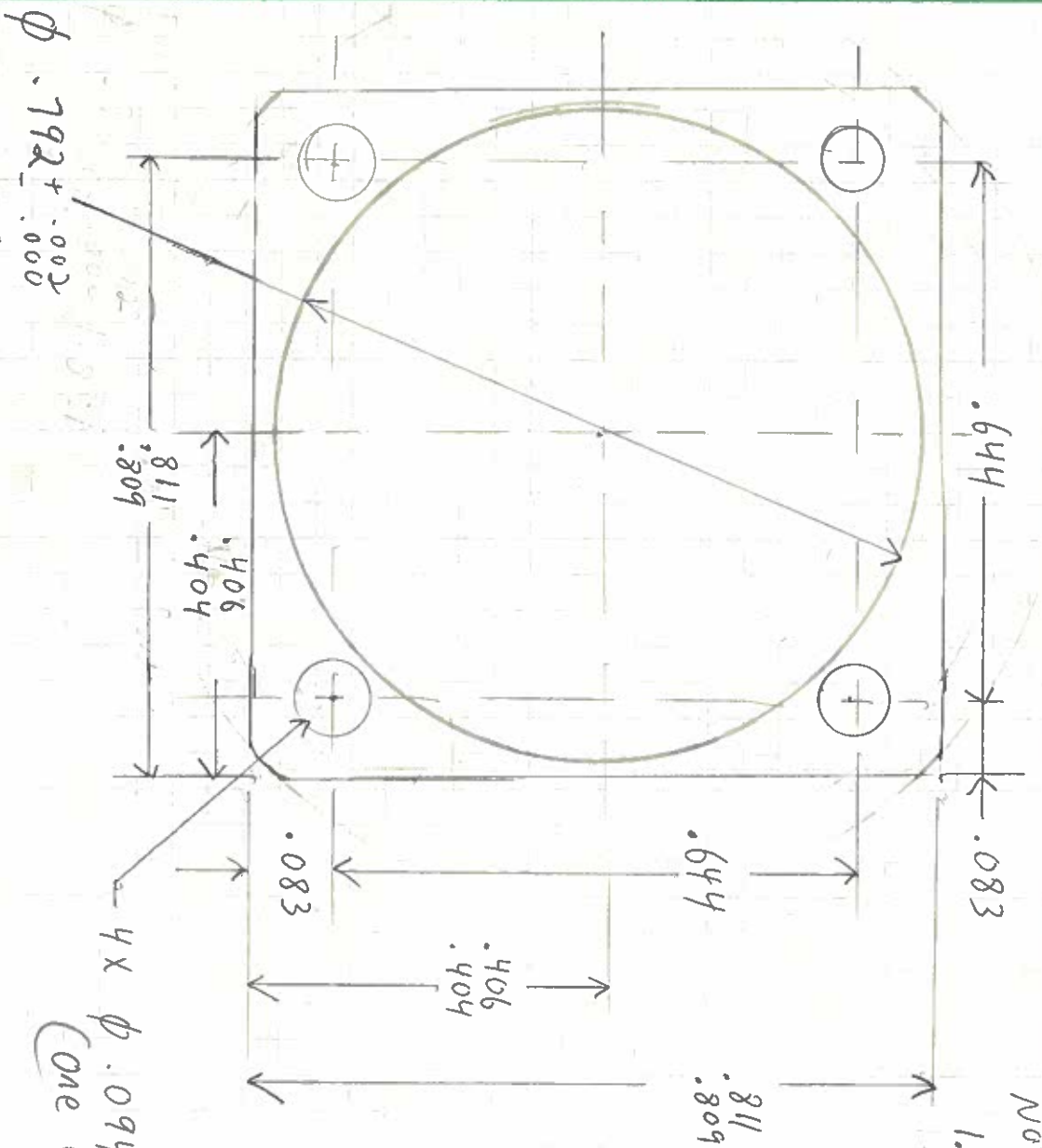


FCAL INSERT 1020 STEEL MAGNETIC SHIELD



NOTES:

1. MAKE FROM ROUND 1 1/8 OD x 1/4 THK DOM 1020 TUBS

REV A - ϕ WAS .789

SH2 - LENGTH WAS 40.090

4x ϕ .094 x .050 DEEP
(one end only)

X.XXX \rightarrow +/- .005

SCALE \approx 5:1

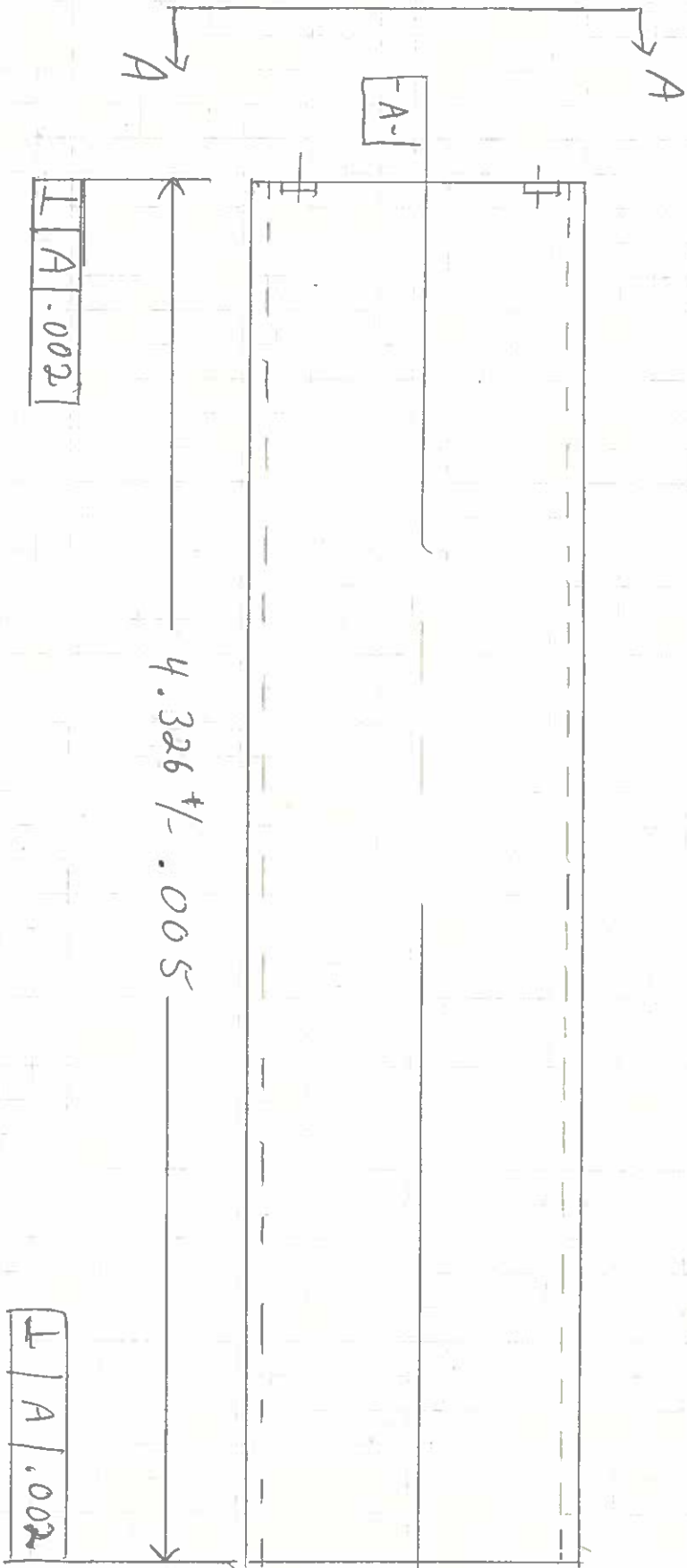
ϕ .792 +/- .002

J. Whittaker
REV A 1/3w 9/16/2019

000000-01-15-2001 REV A

SH2 20K2

FCAL INSERT 1020 STEEL NONMAGNETIC SHIELD



SCALE 2:1

MATERIAL - DOM - ASTM 5113 1020

J. White 1/17/2019

DD00000-01-15-2001 Rev A

REV A Rev 9/16/2019

Shf 10F2