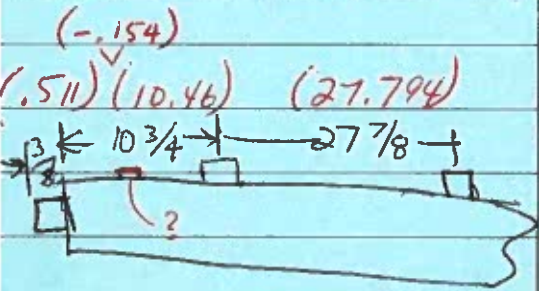
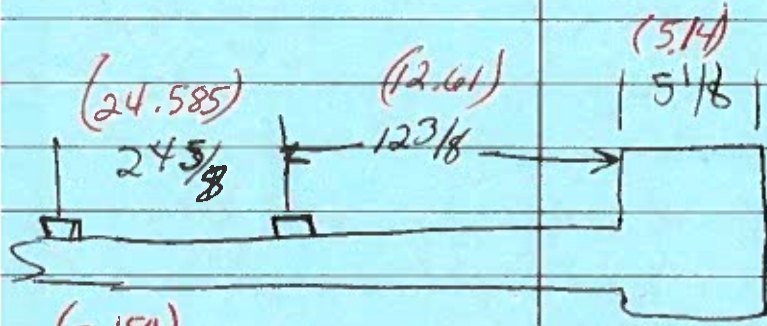
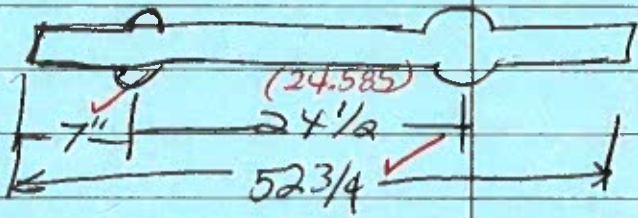
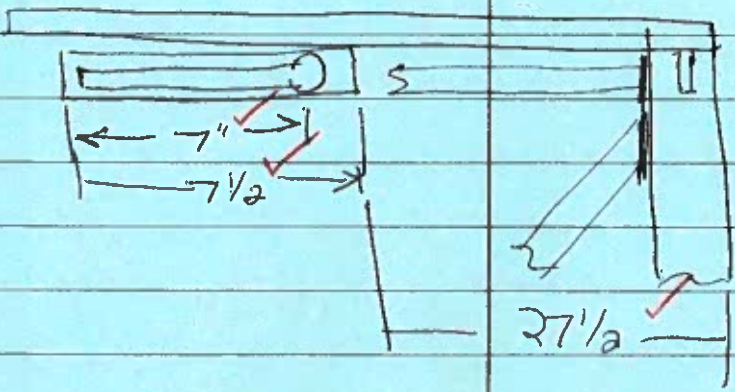


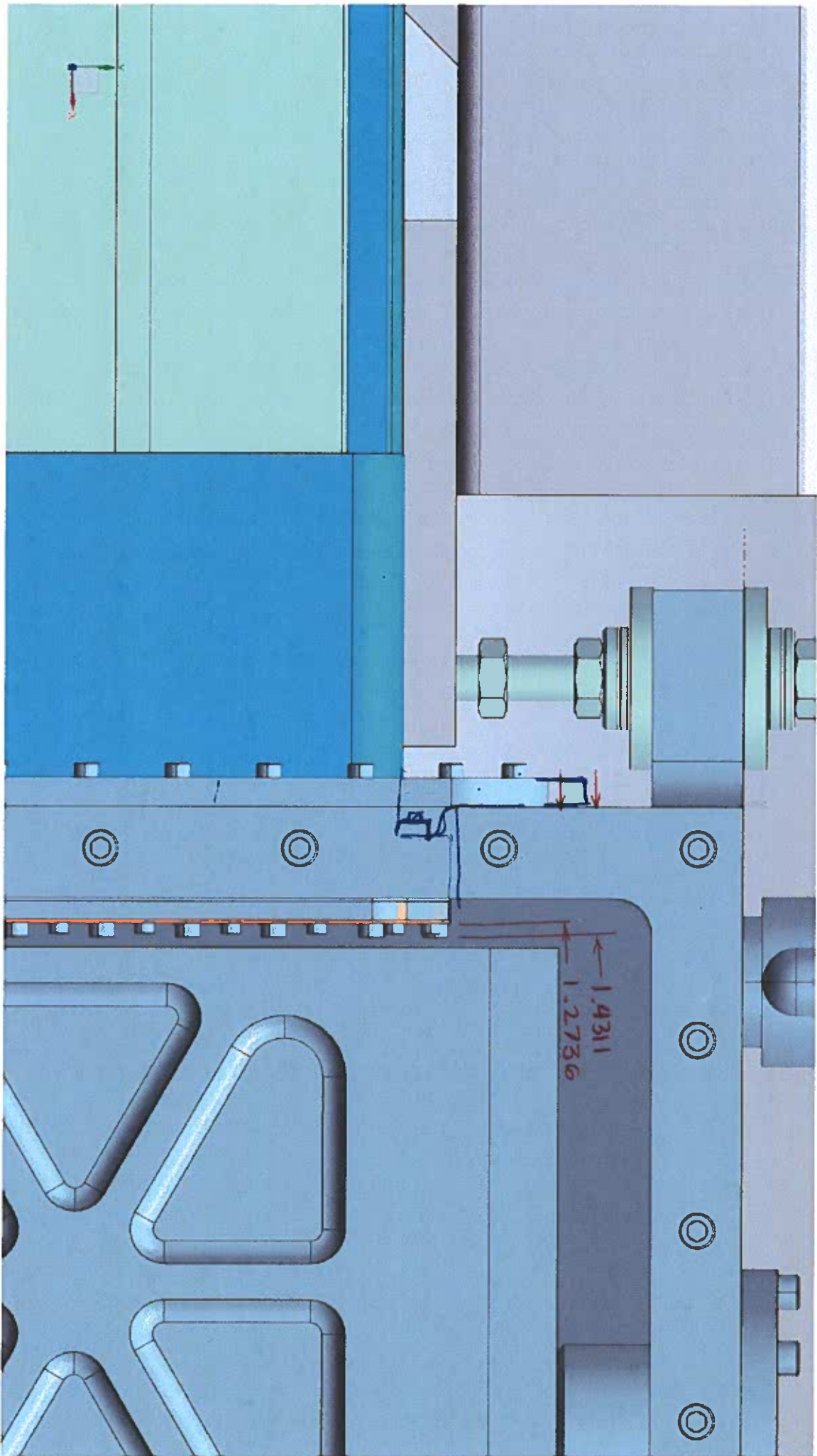
Lower Mirror Box End

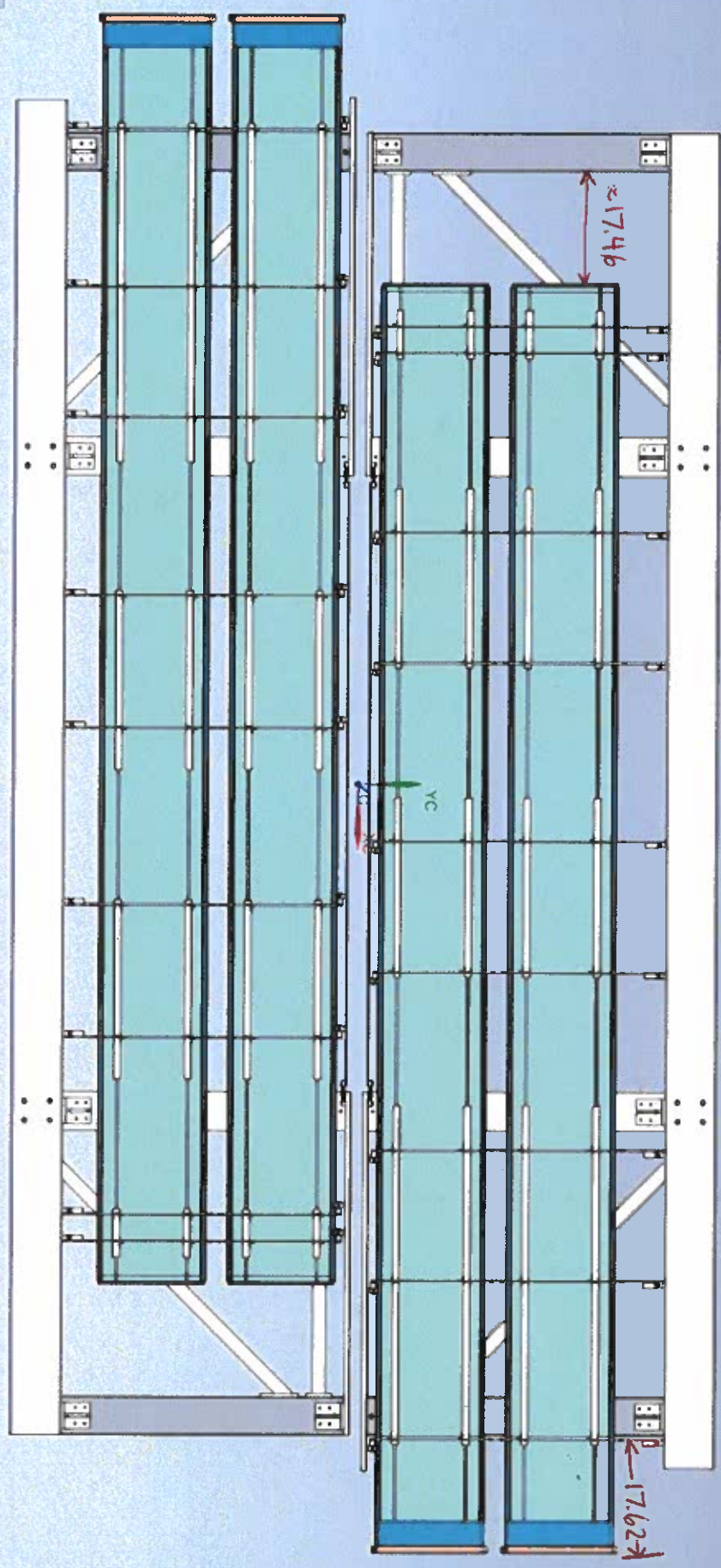


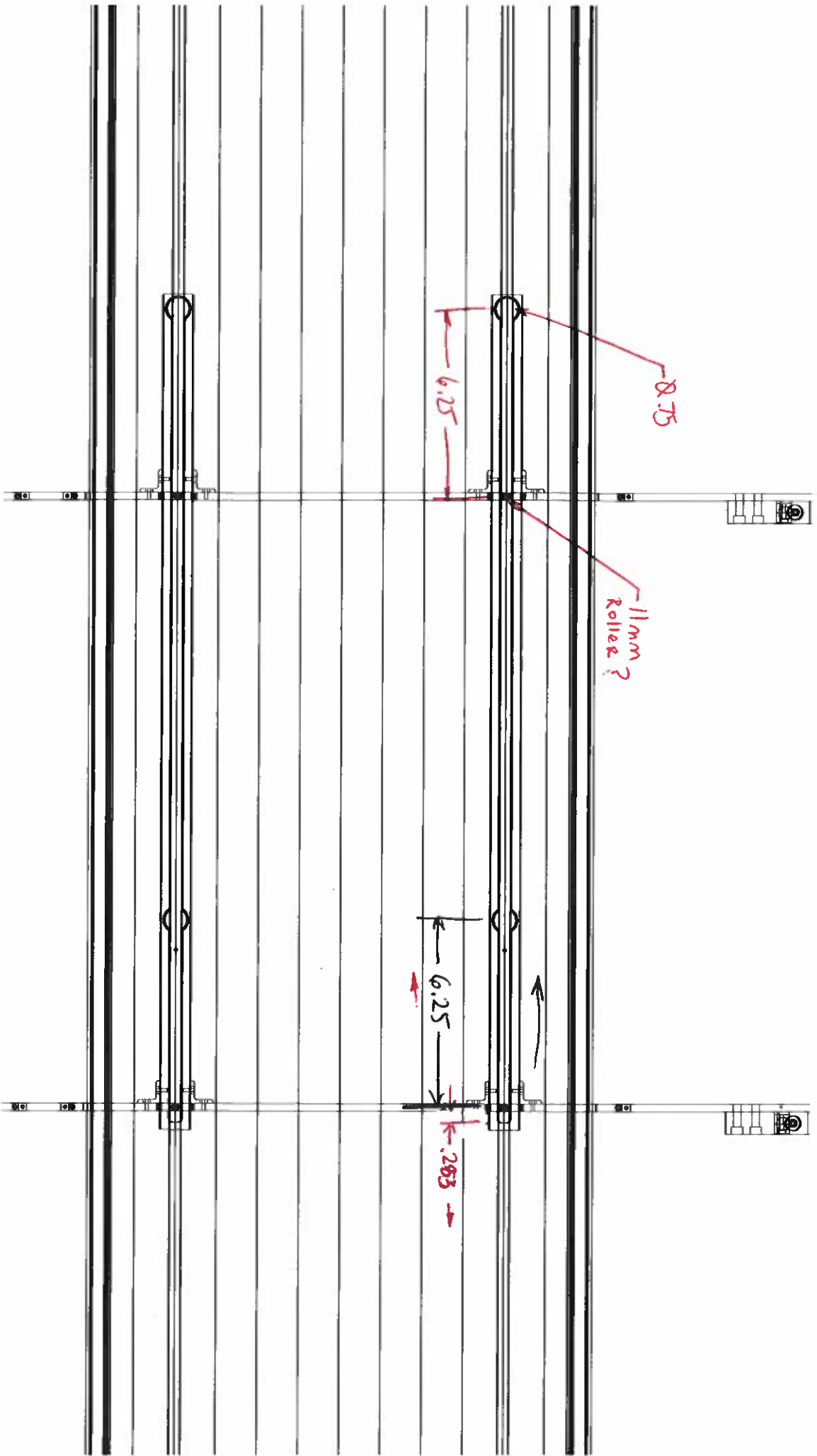
MODEL #'s
Actual Measured #'s

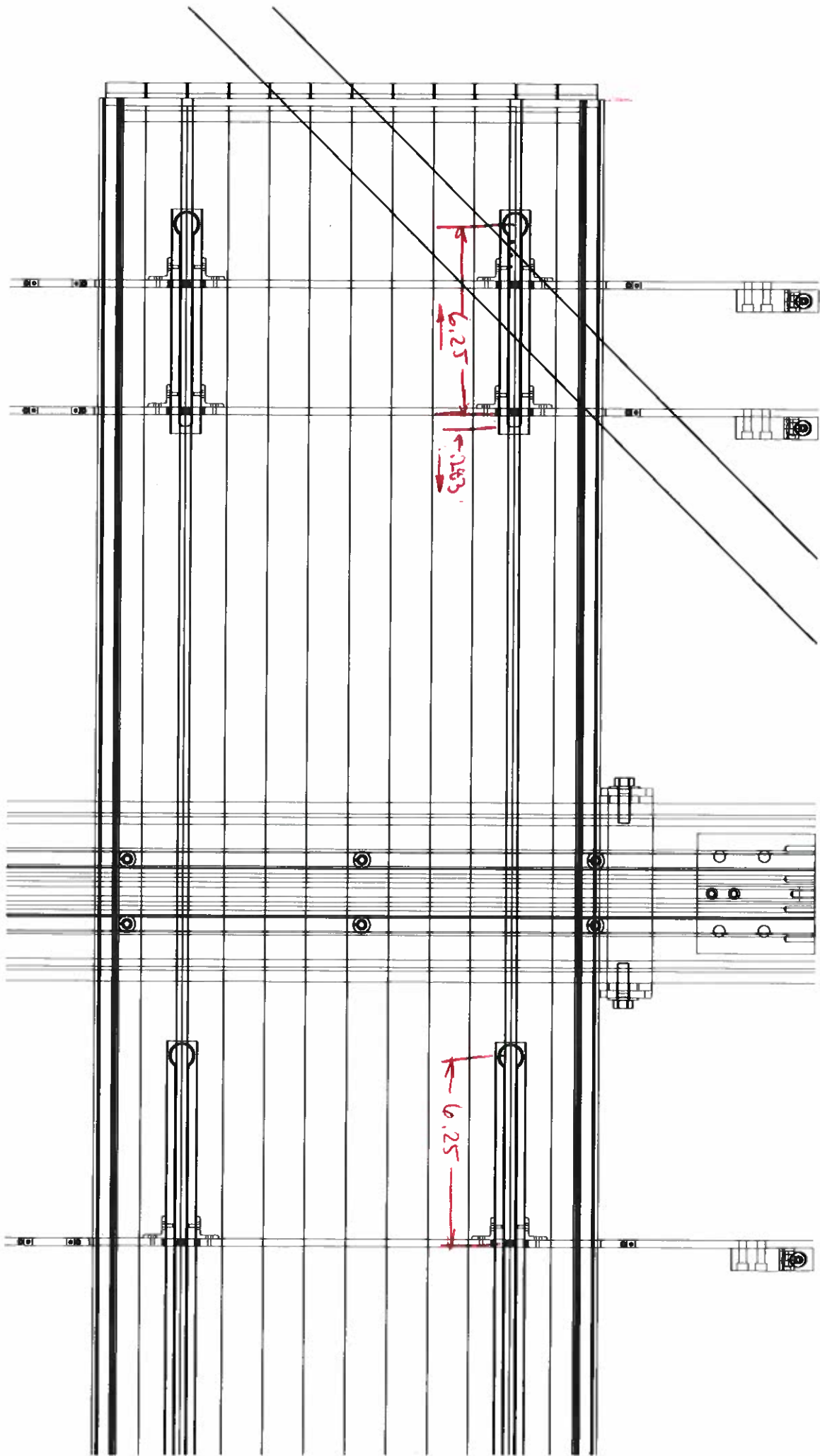
Lower Bar Box End

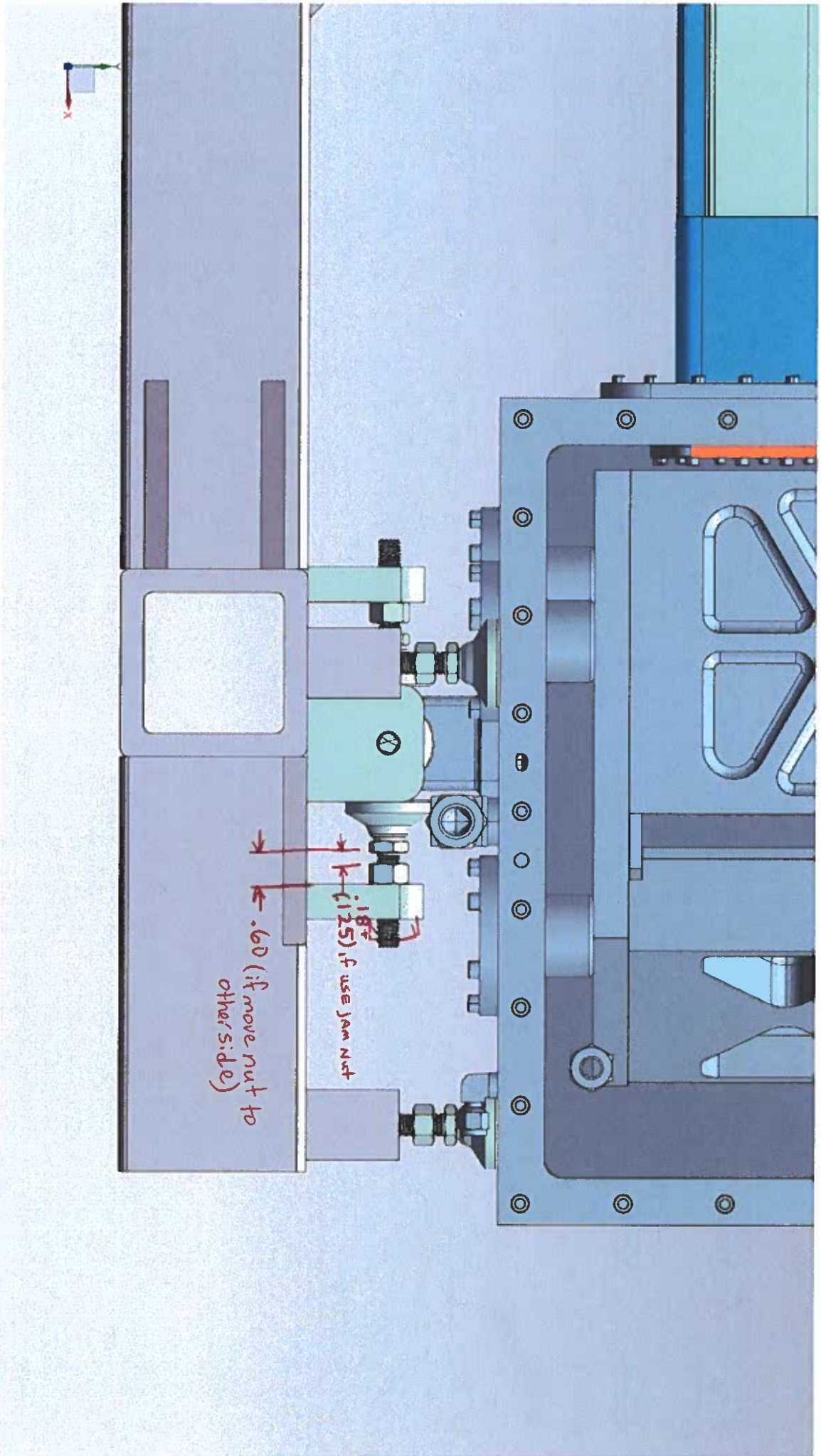












$\frac{.1875}{.125}$

