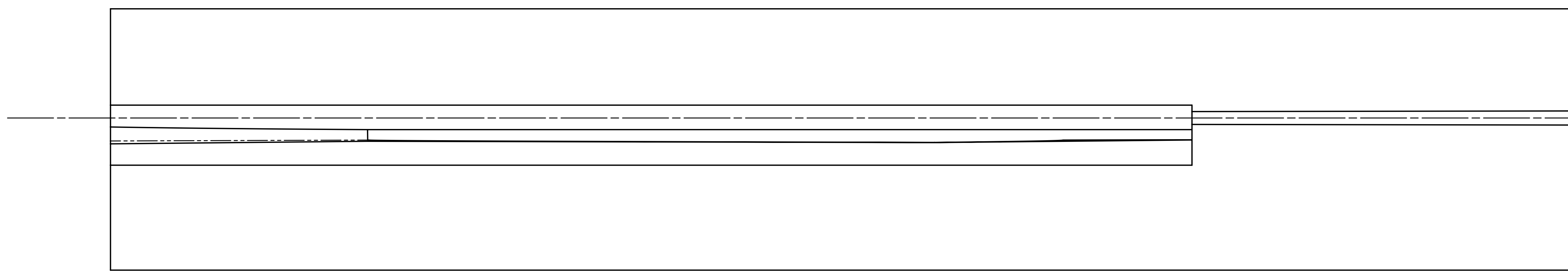
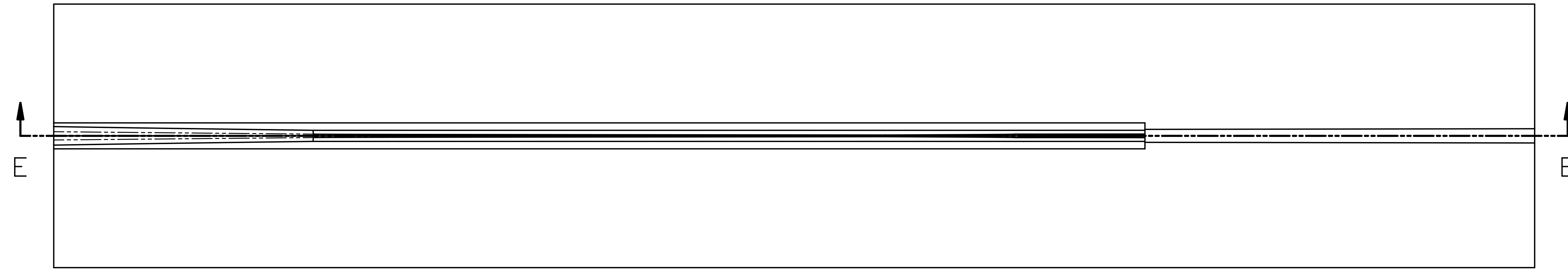


REVISION HISTORY		
ZONE	REV	DESCRIPTION

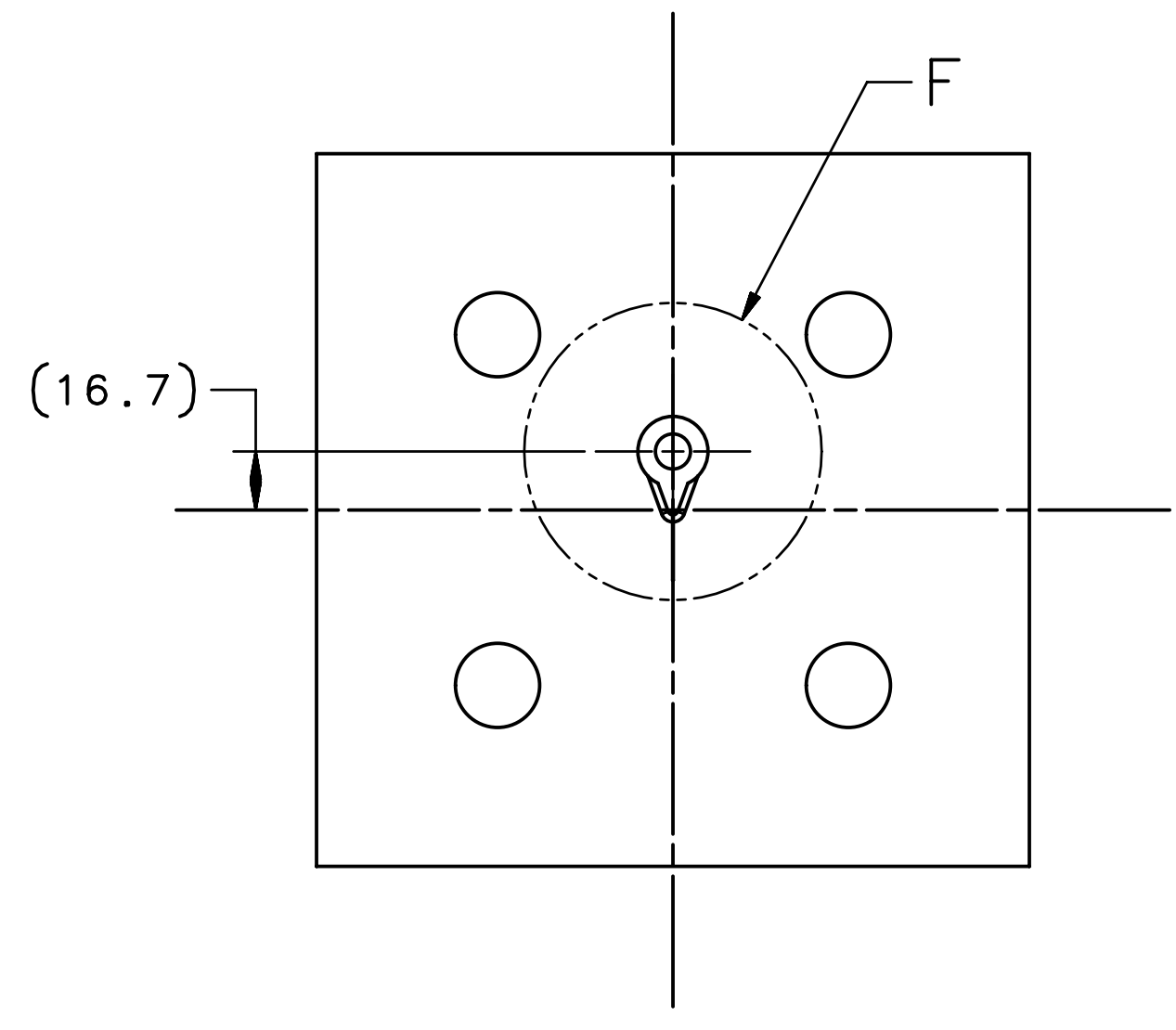
*BEAM* →



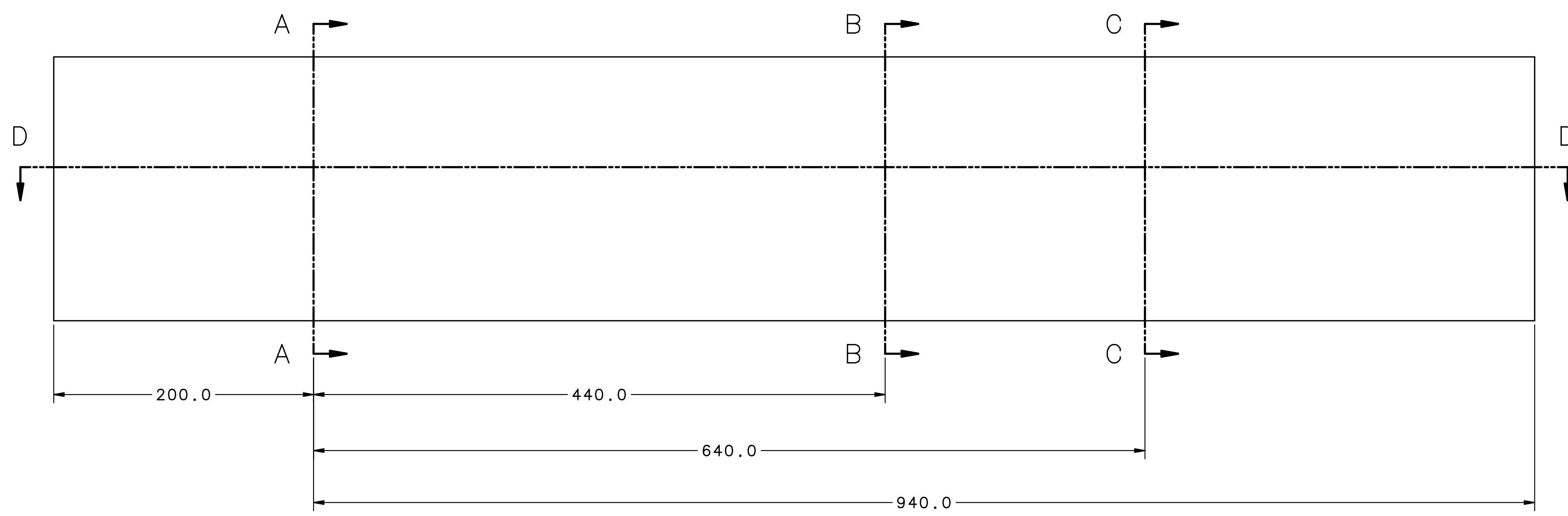
SECTION E-E



SECTION D-D



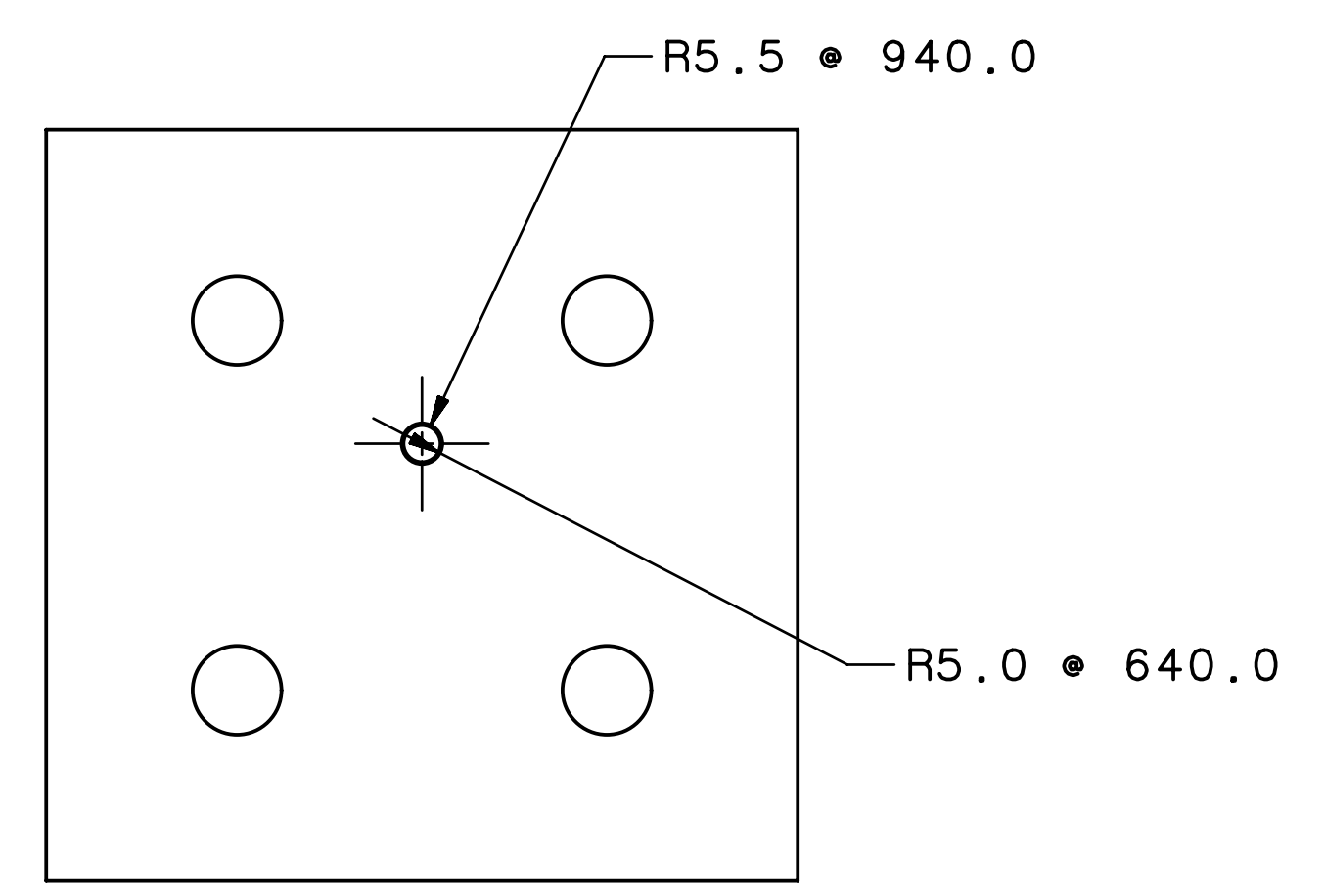
DETAIL F  
SCALE 2:1



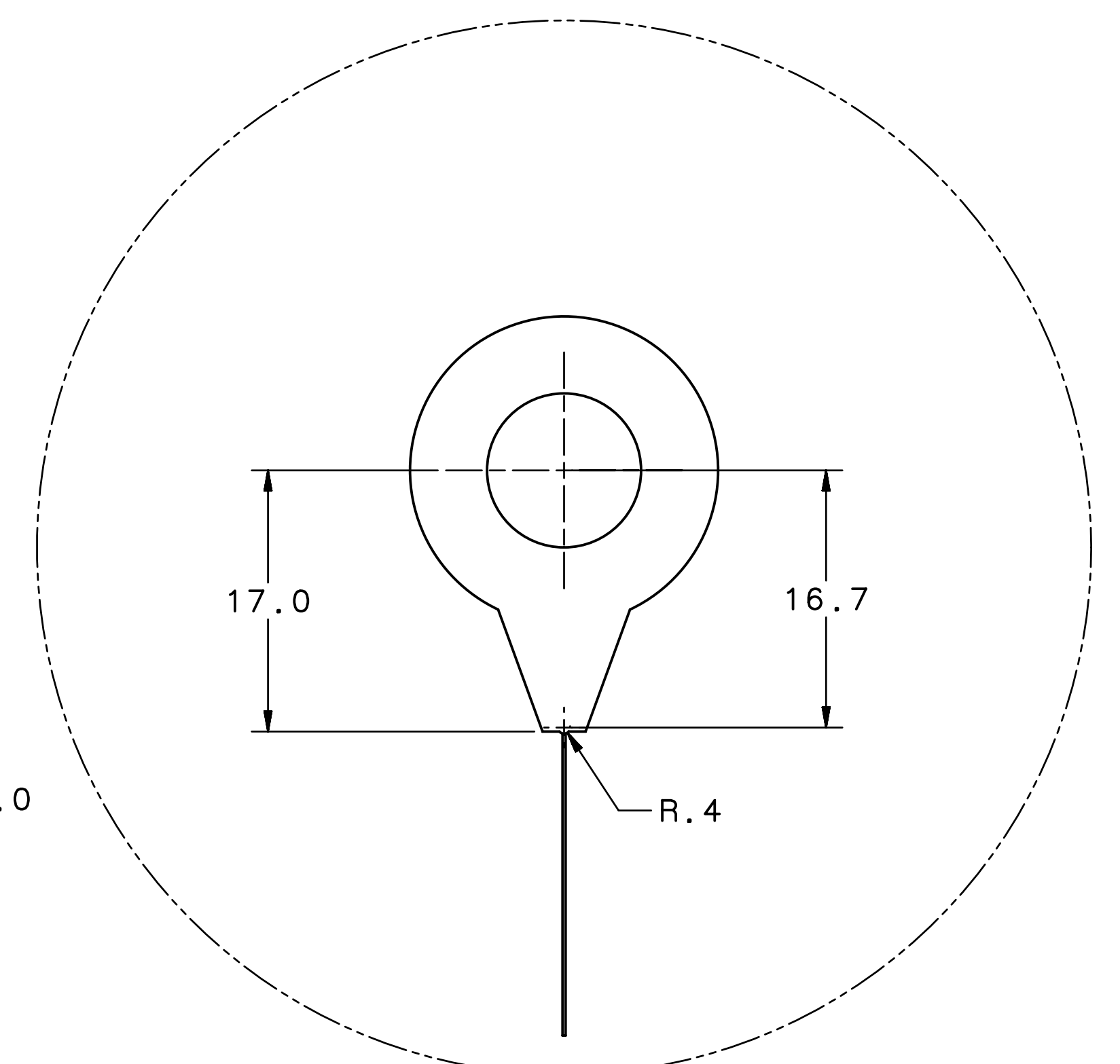
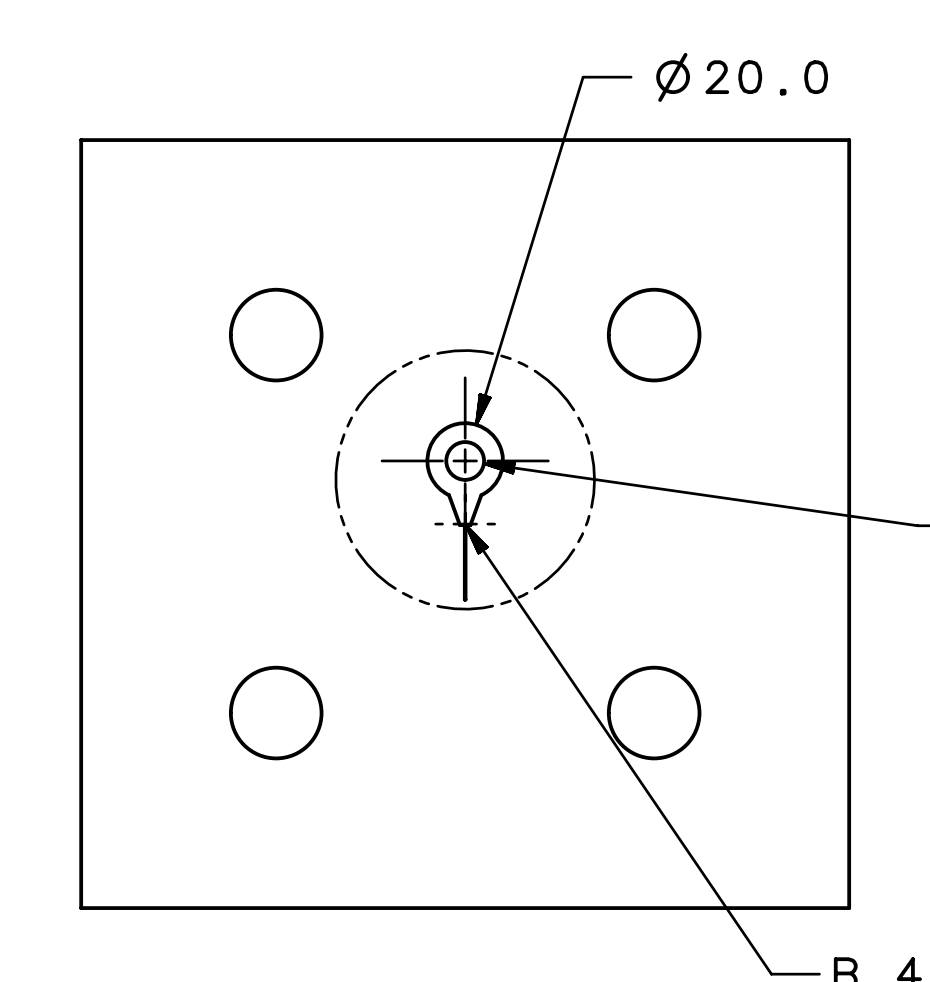
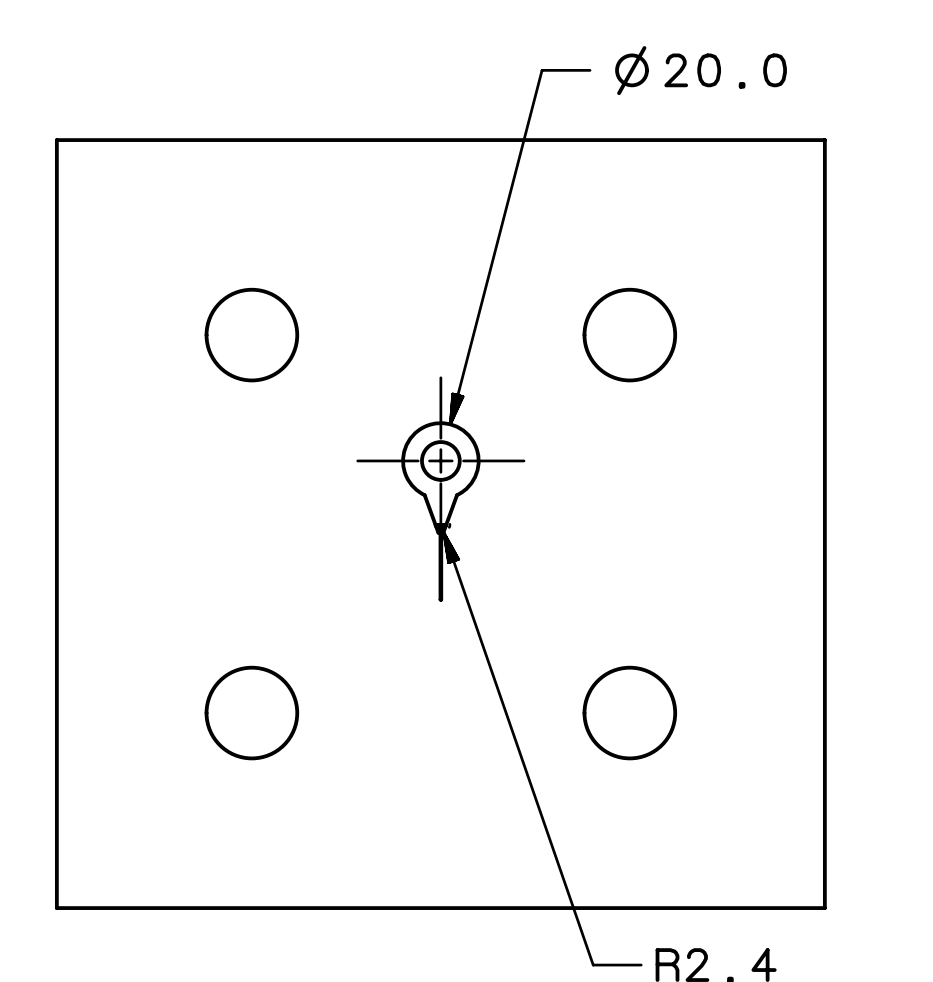
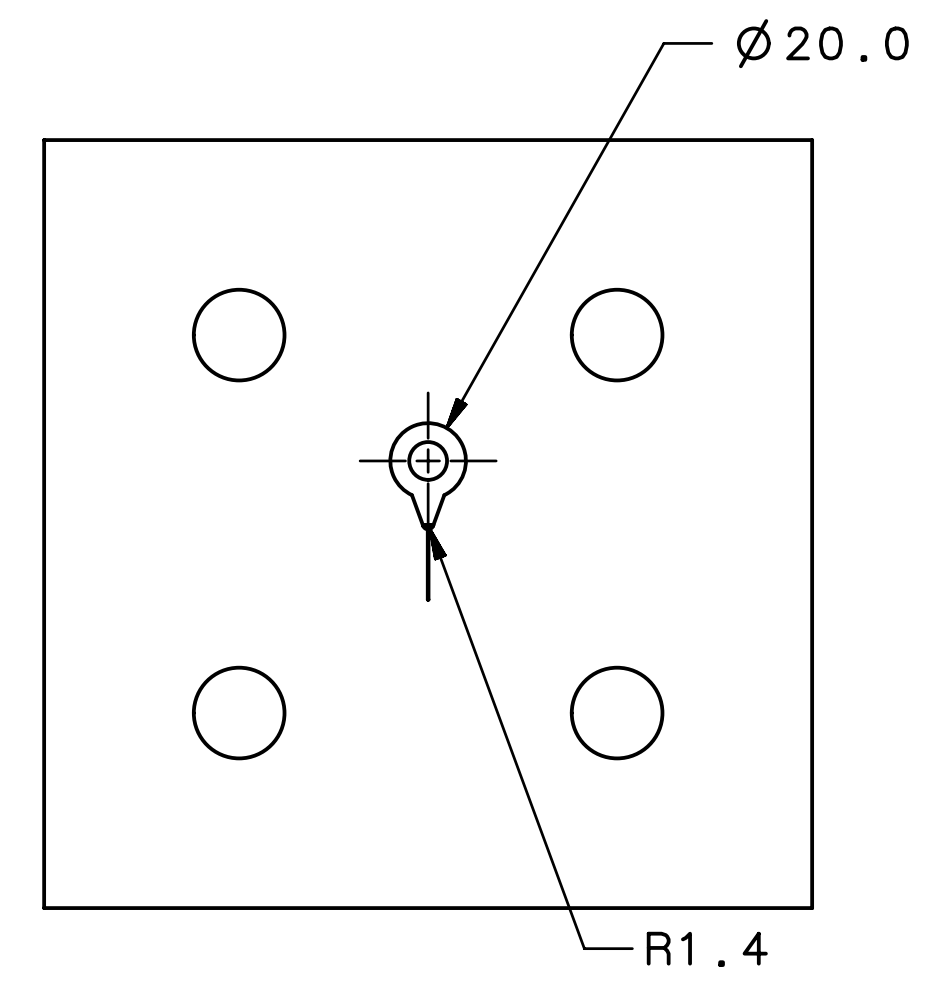
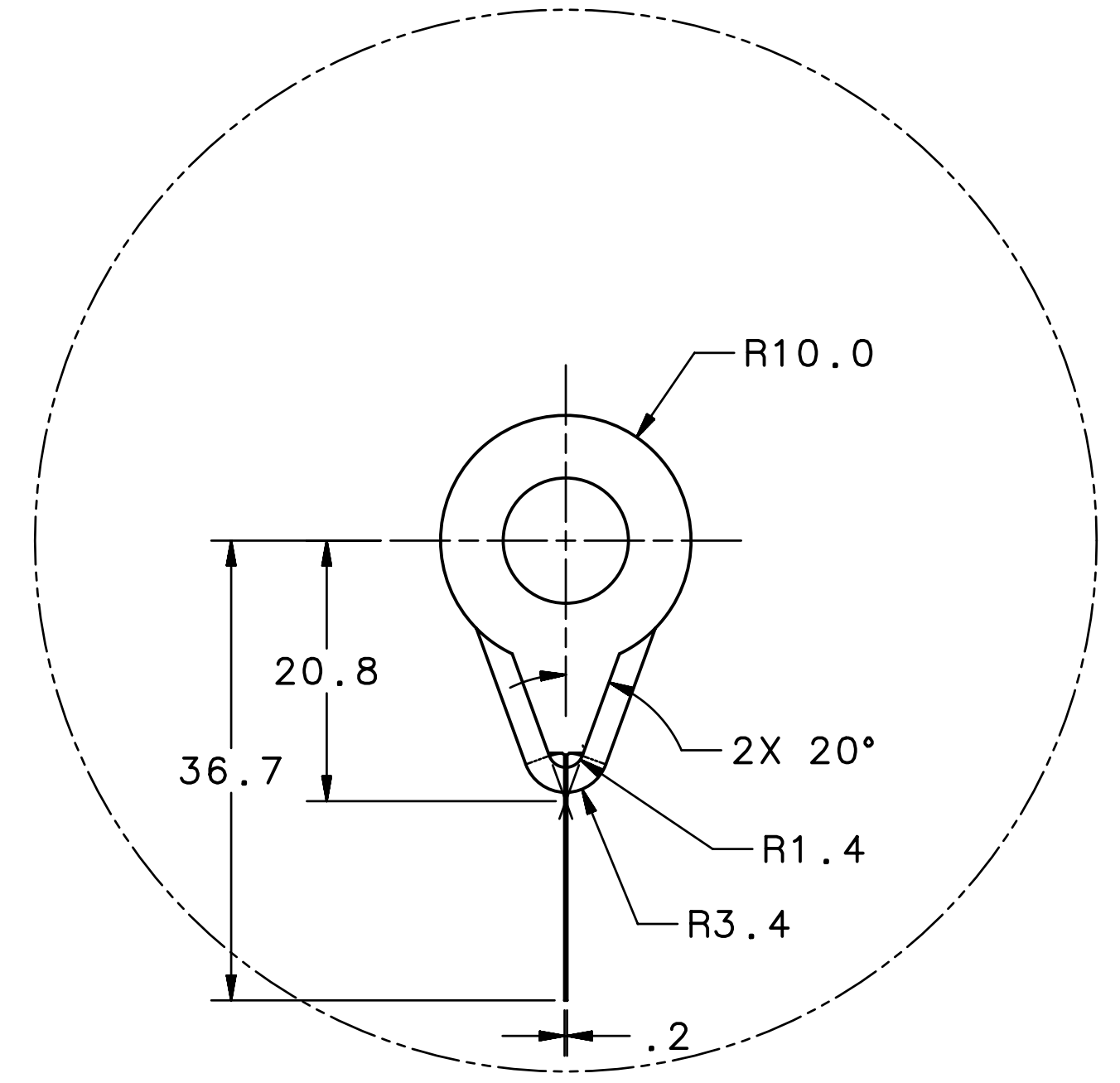
SECTION A-A  
0,0,0  
LOOKING DOWNBEAM

SECTION B-B  
0,0,440  
LOOKING DOWNBEAM

SECTION C-C  
0,0,640  
LOOKING DOWNBEAM



DETAIL G  
SCALE 3:1



EACH SHEET OF MULTI-SHEET DRAWINGS SHALL ALWAYS HAVE THE SAME REVISION LEVEL.

DWG & TOL PER ASME Y14.5 2009. UNLESS OTHERWISE SPECIFIED, DIMENSIONS ARE IN MILLIMETERS. TOLERANCES ARE: FRACTIONS X ± .1 ANGLES ± .50° ± W/A .XX ± .05	MATERIAL	SEE PARTS LIST	United States Department of Energy
THIRD ANGLE PROJECTION	FINISH: MACHINED SURFACES 3.2 UNLESS OTHERWISE NOTED DEBURR & BREAK ALL SHARP EDGES	DO NOT SCALE DRAWING	Jefferson Lab Thomas Jefferson National Accelerator Facility Newport News, Virginia
DATE	DRAWN	SCALE	MATERIALS MISCELLANEOUS CPS ABSORBER, RIGHT HALF
DATE DUMMY			SIZE (DWG. NO.) E D00001-02-02-2014
			REV. -
			SHEET 1 OF 3