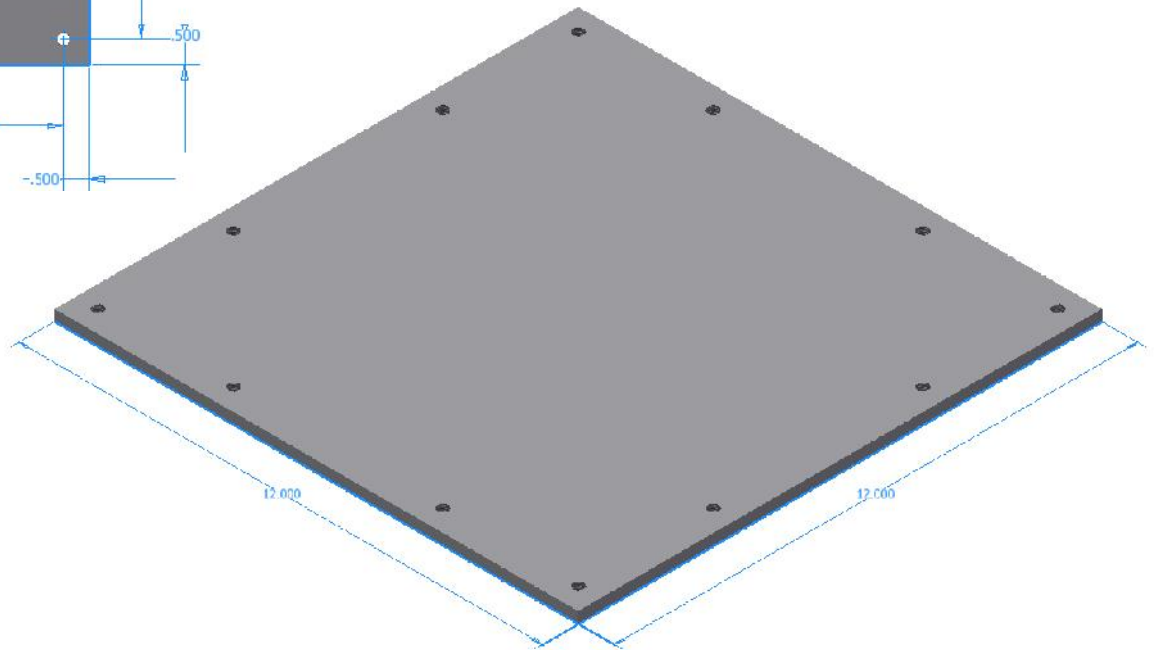
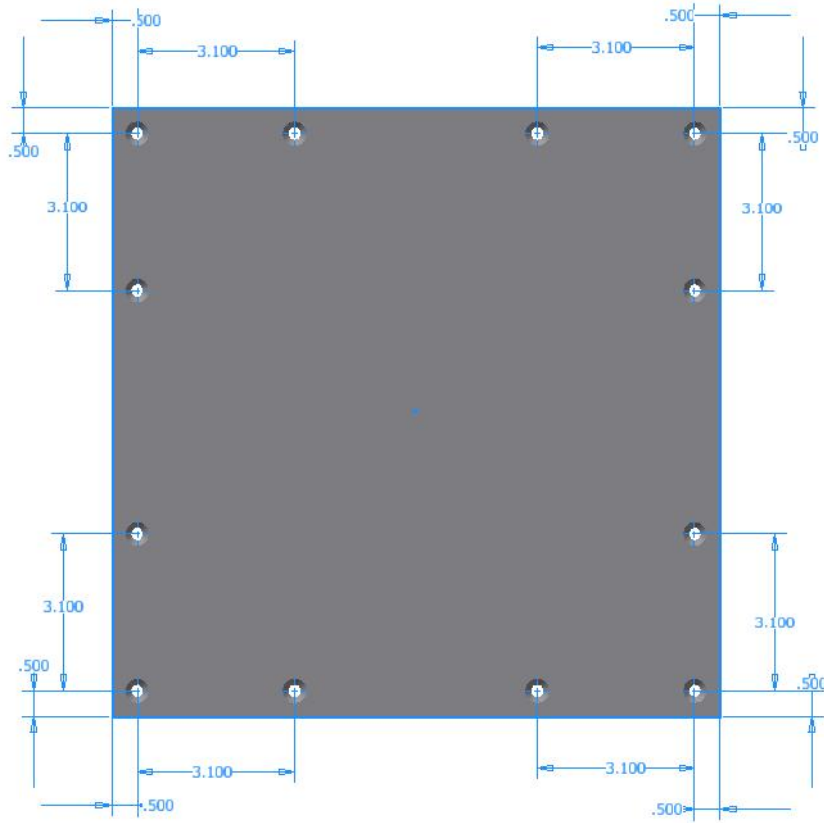
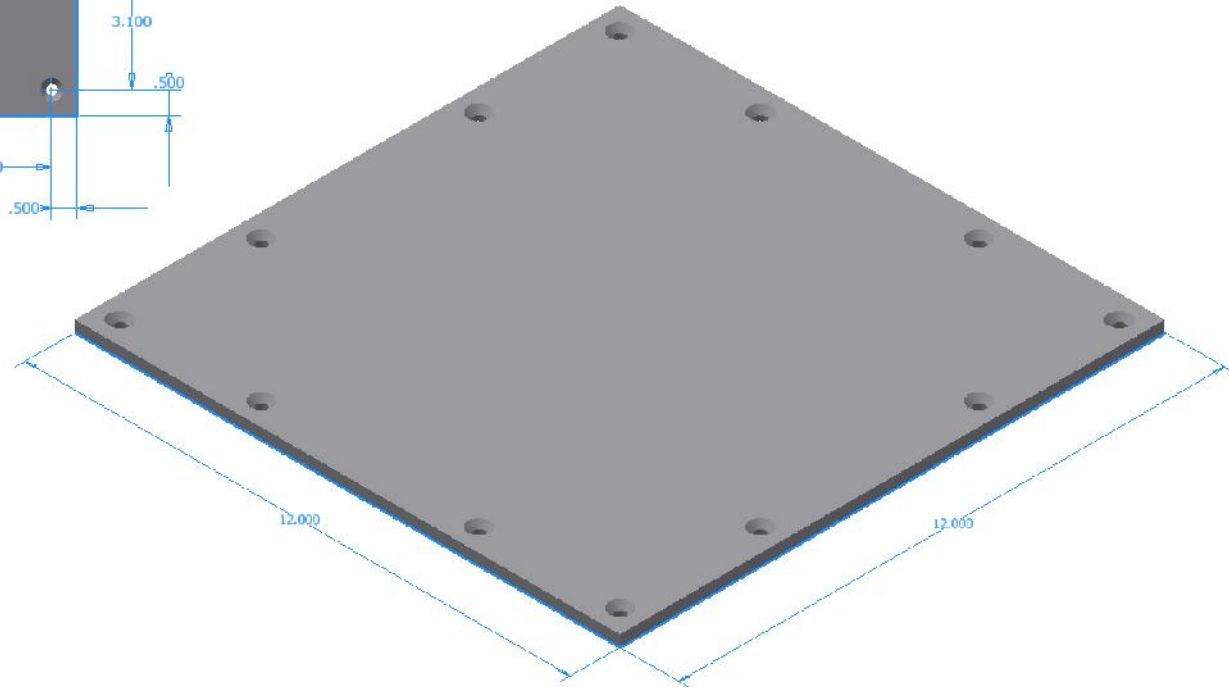


Aluminum bottom plate
0.250" x 12.000" x 12.000"
1/4-20 threads





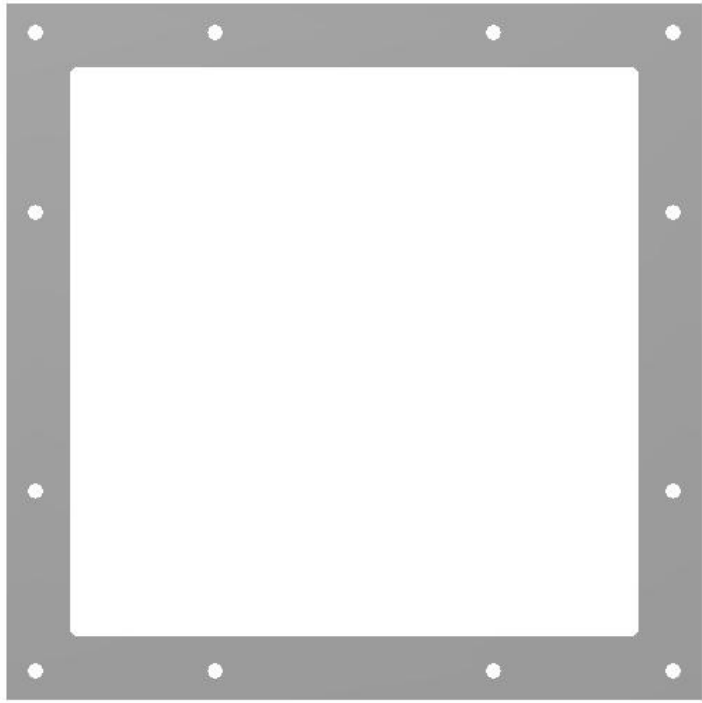
Aluminum top plate
0.250" x 12.000" x 12.000"
Countersunk holes



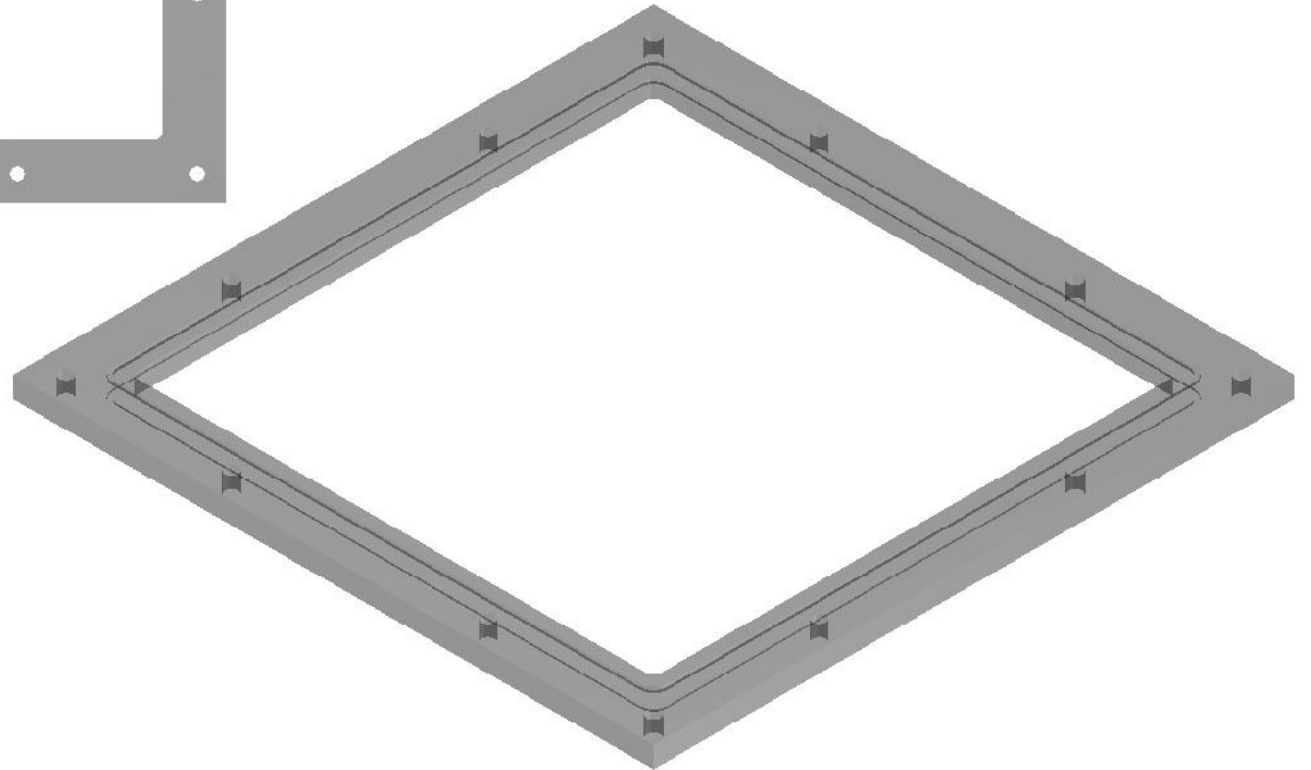
Quotes for machining

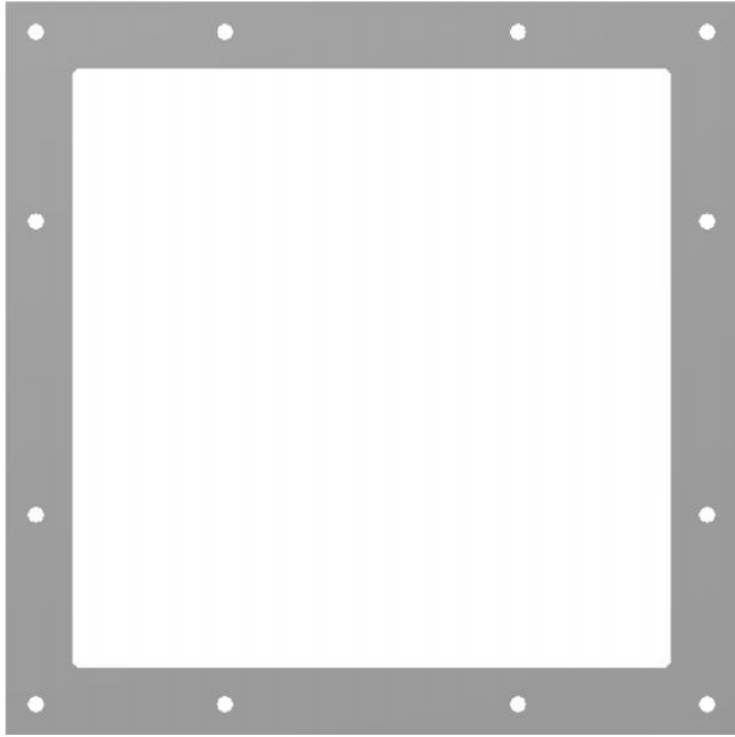
Aluminum 6061

Vendor	Price for Both Plates
United CNC Machining	Company declined to quote
Proto Labs	\$ 1232.61
NextLine	\$ 969.13
3-D CNC	\$ 512.40
Rapid Machining	\$ 500.00
ZYCI CNC Machining	\$ 280.00
Internet Machine Shop	\$ 160.00

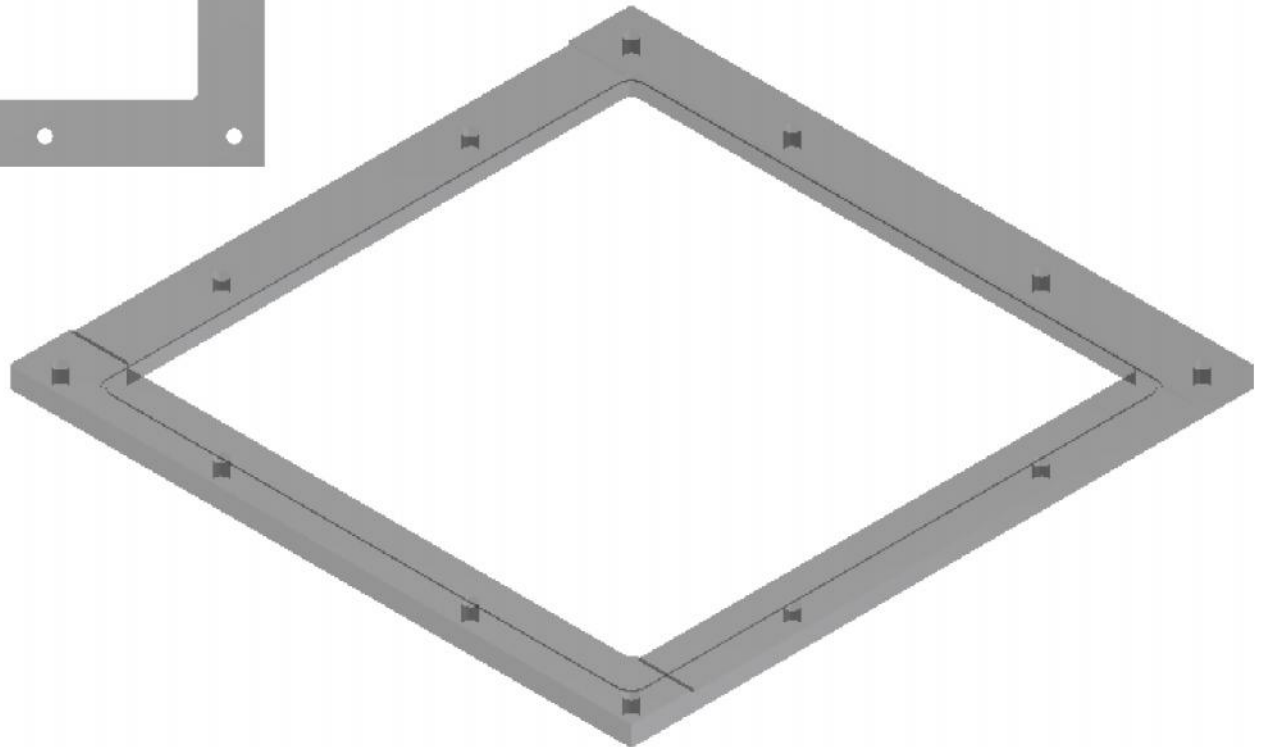


MWPC Plastic Spacer
0.394" x 12.000" x 12.000"





MWPC Plastic Base
0.394" x 12.000" x 12.000"



Quotes for 3D Printing

Vendor	Price for Both Parts	Comments
Stratasys	\$ 1327.00	
Moddler	\$ 1178.50	
Axis Prototypes	\$ 1169.38	
Studio Fathom	\$ 927.00	
Sculpteo	\$ 702.19	Ships in 4 days from order
i.materialise	\$ 342.74	Ships in 8 - 13 days from order
Purple Porcupine	\$ 310.52	Ships in 7 days from order
MIE Department	Awaiting Response	
FDM Digital	Awaiting Response	