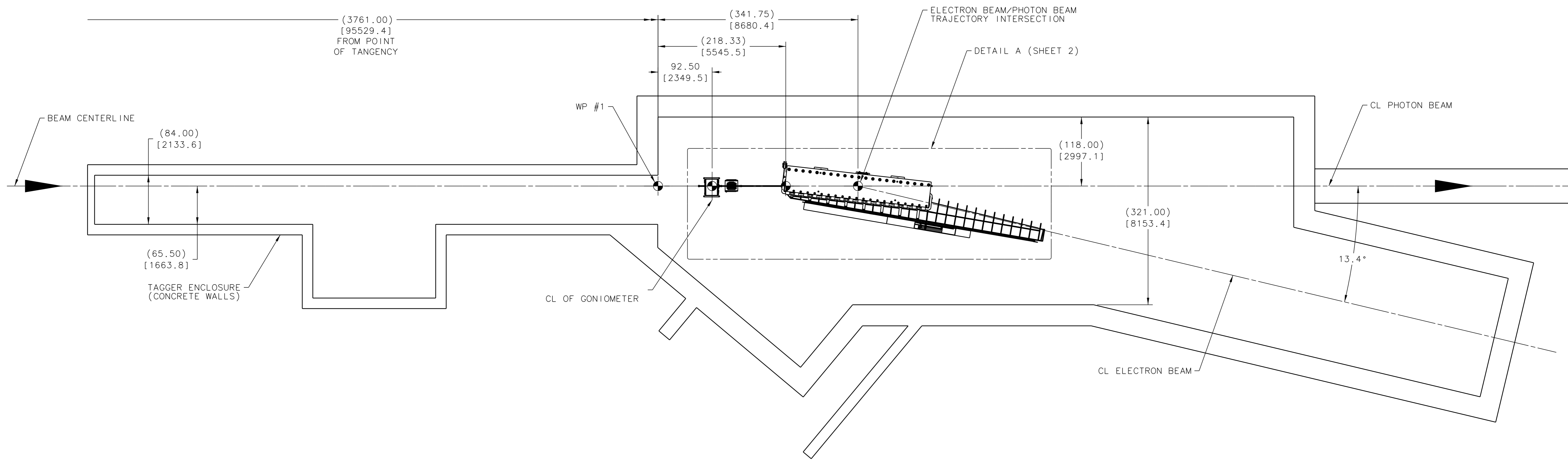
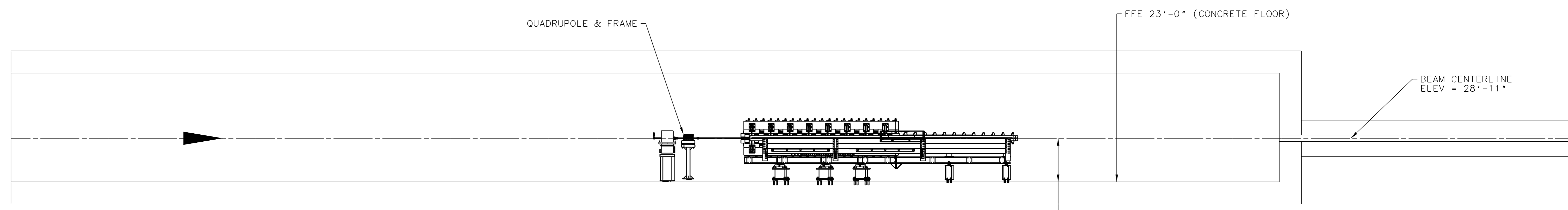


REVISION HISTORY				
ZONE	REV	DESCRIPTION	DATE	APPROVED



PLAN VIEW



ELEVATION VIEW

PRELIMINARY
11/06/09

DOCUMENT CONTROL STAMP		EACH SHEET OF MULTI-SHEET DRAWINGS SHALL ALWAYS HAVE THE SAME REVISION LEVEL.		TRACKING NO. N/A		United States Department of Energy	
MATERIAL		DIM & TOL PER ASME Y14.5 UNLESS OTHERWISE SPECIFIED. DIMENSIONS ARE IN INCHES. FRACTIONS ARE: DECIMAL ANGLES: .XX ± .01 .XXX ± .005		APPROVALS DATE		Jefferson Lab Thomas Jefferson National Accelerator Facility Norfolk, Virginia	
FINISH SURFACES UNLESS NOTED OTHERWISE		THIRD ANGLE PROJECTION		DRAWN: LADNER		DATE: 21JUN09	
DO NOT SCALE DRAWING		THIRD ANGLE PROJECTION		CHECKED		APPROVED	
		THIRD ANGLE PROJECTION		APPROVED		SIZE DWG. NO. E D00000-19-00-3001	
		THIRD ANGLE PROJECTION		APPROVED		SCALE 1/64 SHEET 1 OF 2	