

# Tracking Chamber Gas System

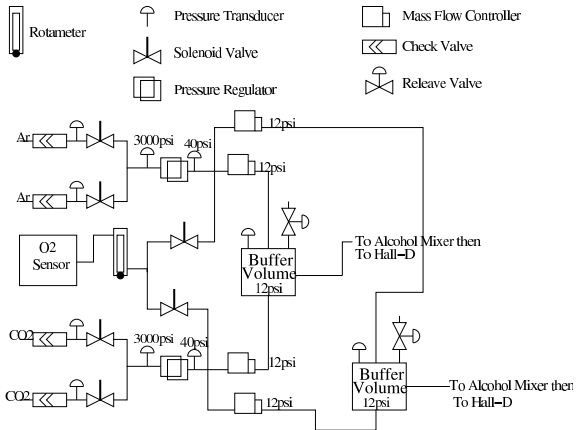
Benedikt Zihlmann



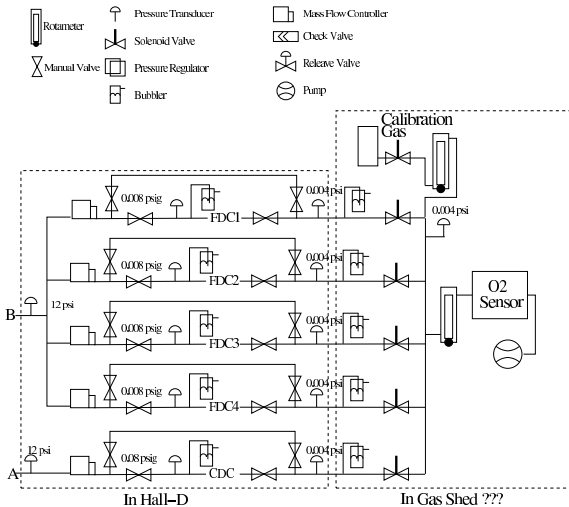
# Considerations

- Keep system below 15psi where possible!
- Keep system NON flammable if possible everywhere!
- Chamber gas exhaust into the Hall or in gas-shed?
- Do we need alcohol admixture?

# Mixing the gas (upstairs)



# Gas distribution (downstairs)



## Controls, Monitoring

- **Control** Pressure in mixing volume.
- **Control** valves of gas supply.
- **Control** valves to Oxygen sensor.
- **Set gas** mixing ratios.
- **Monitor** pressures on gas supply.
- **Monitor** pressures on gas lines.
- **Monitor** pressures on chambers.
- **Monitor** pressures on exhausts.