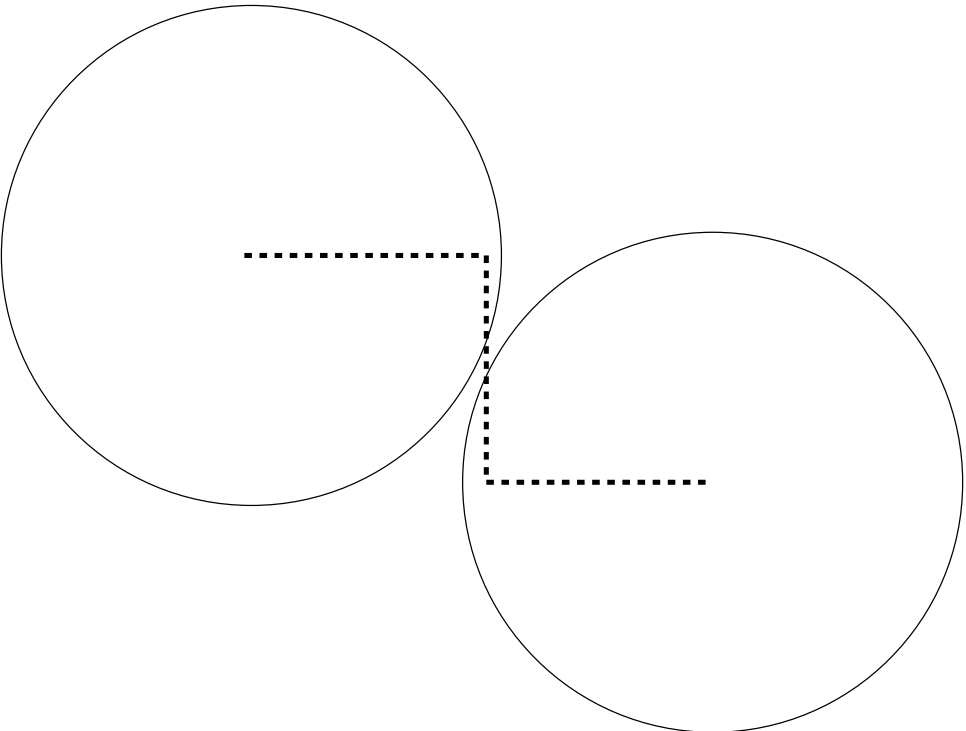
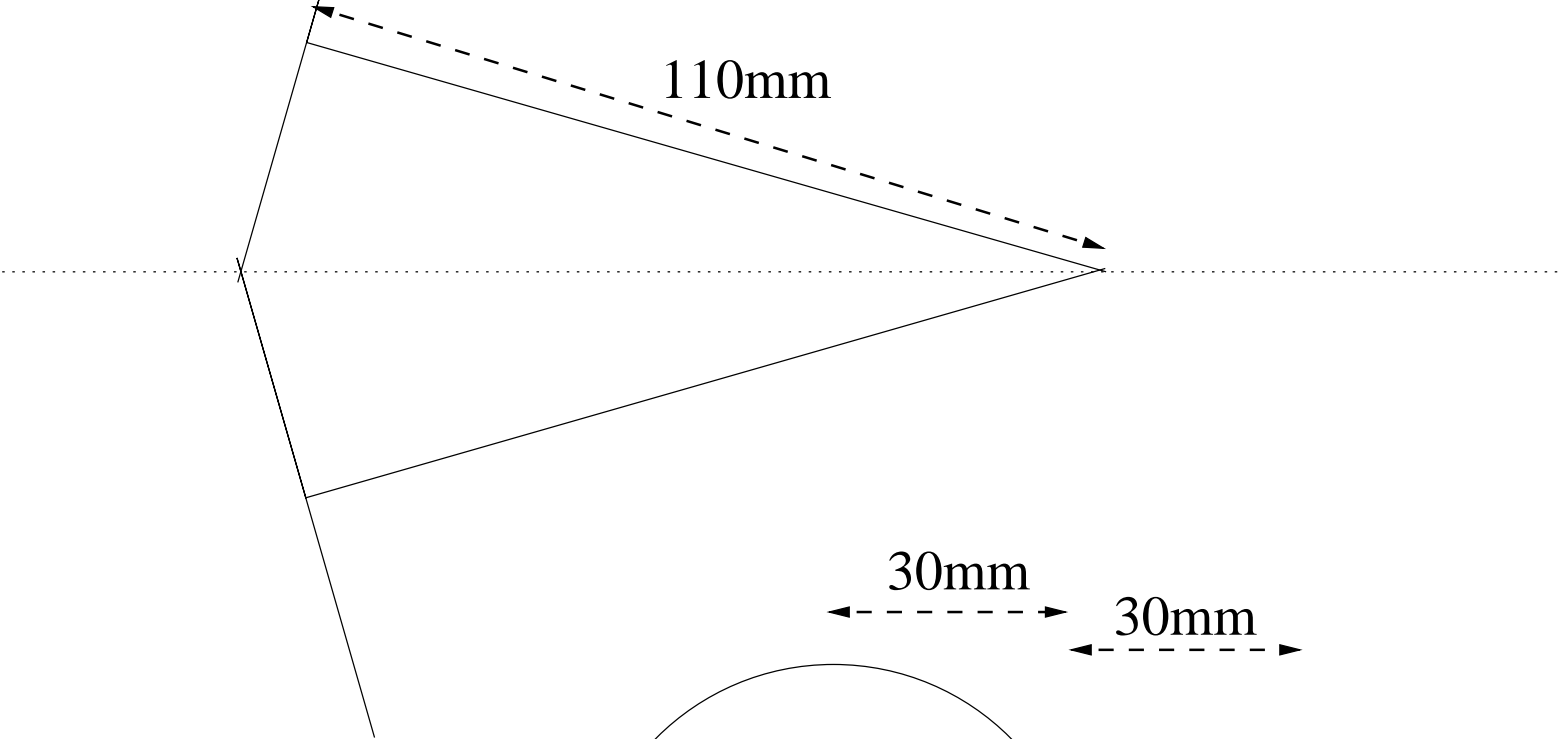


16deg Bend for 30mm x 2.5mm bar



30mm