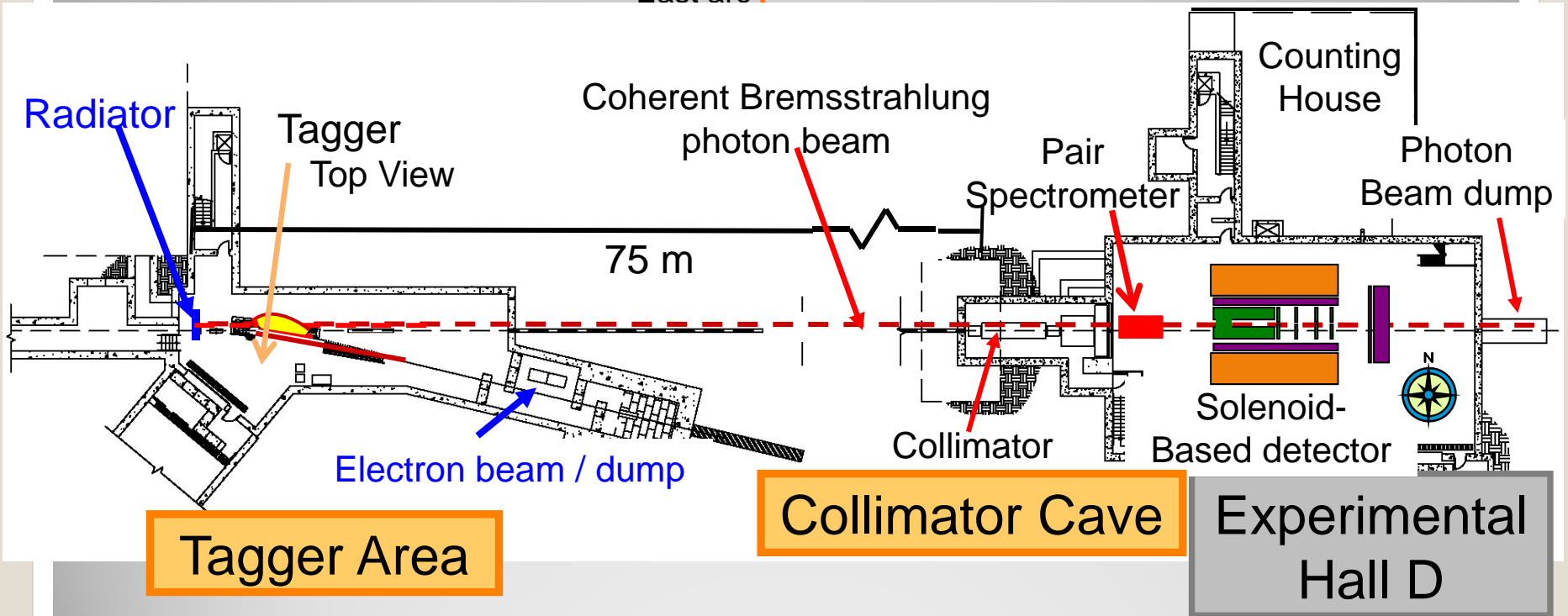
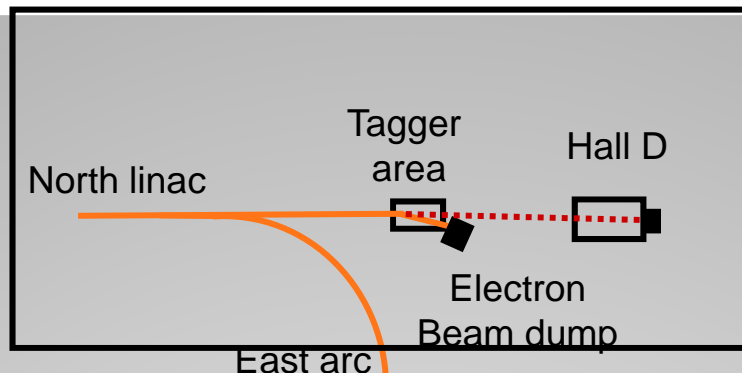


Hall D Gluex Install

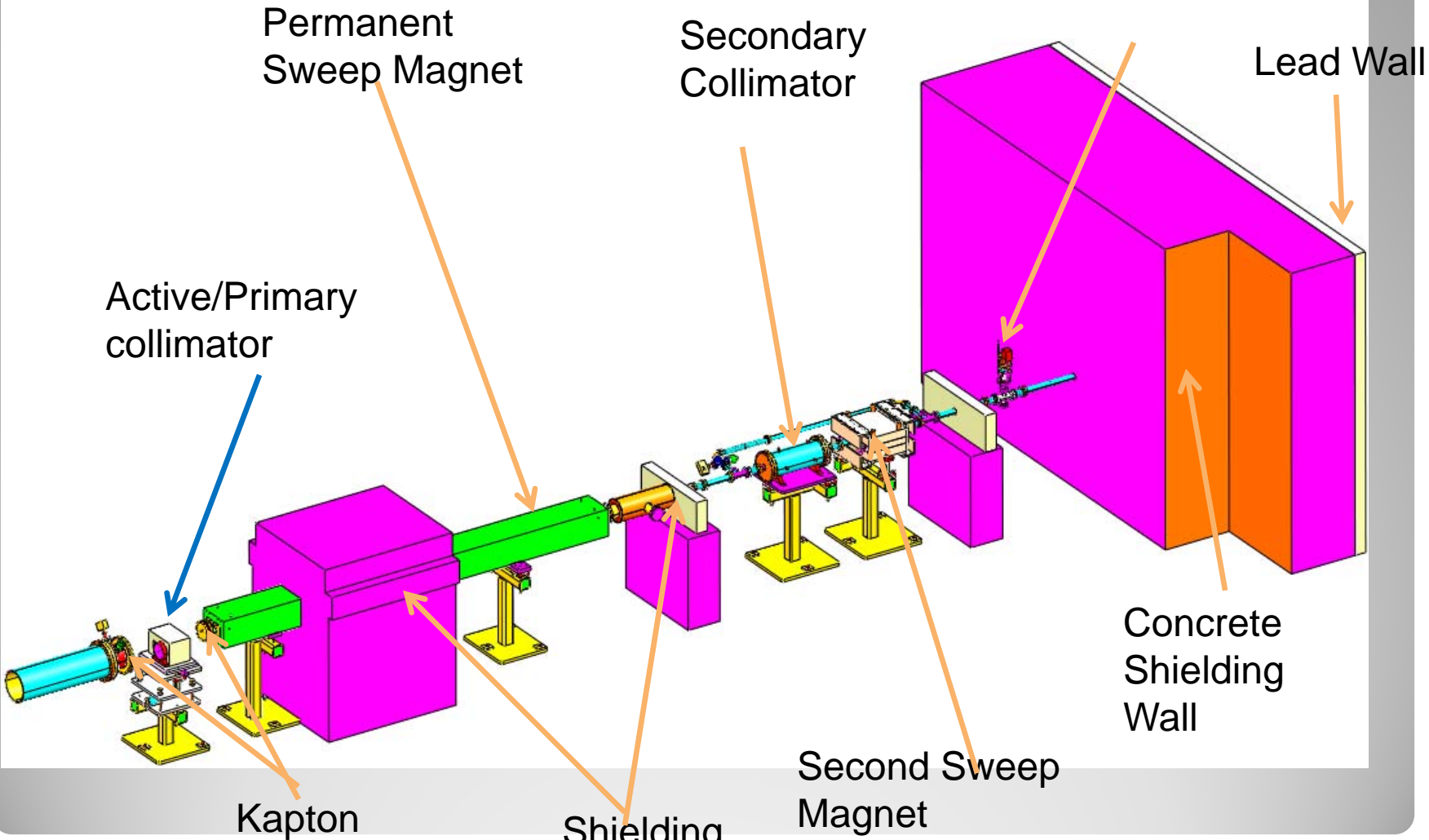
It takes a village...





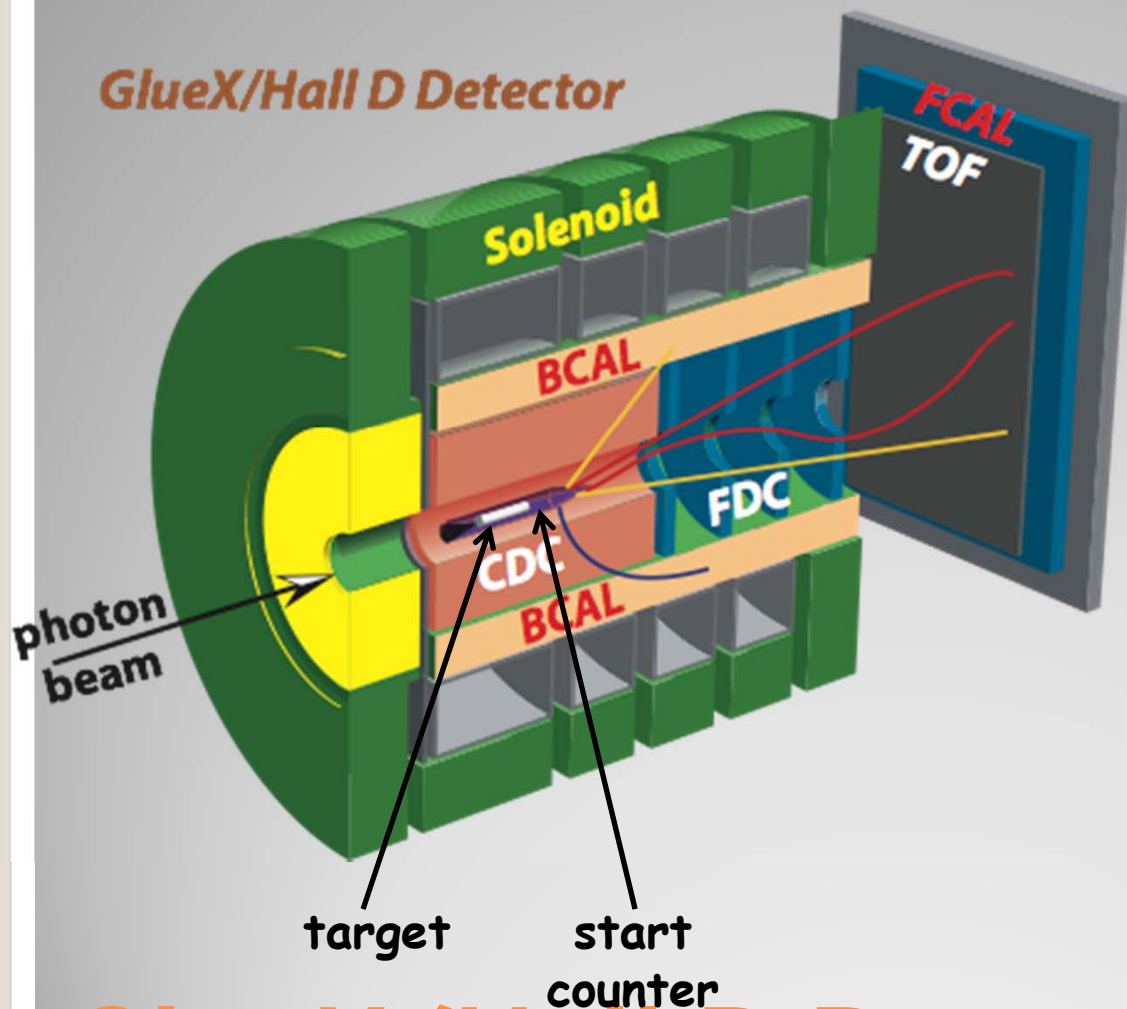
Photon beam and experimental area

Pair Convertor



Collimator Cave Layout

GlueX/Hall D Detector

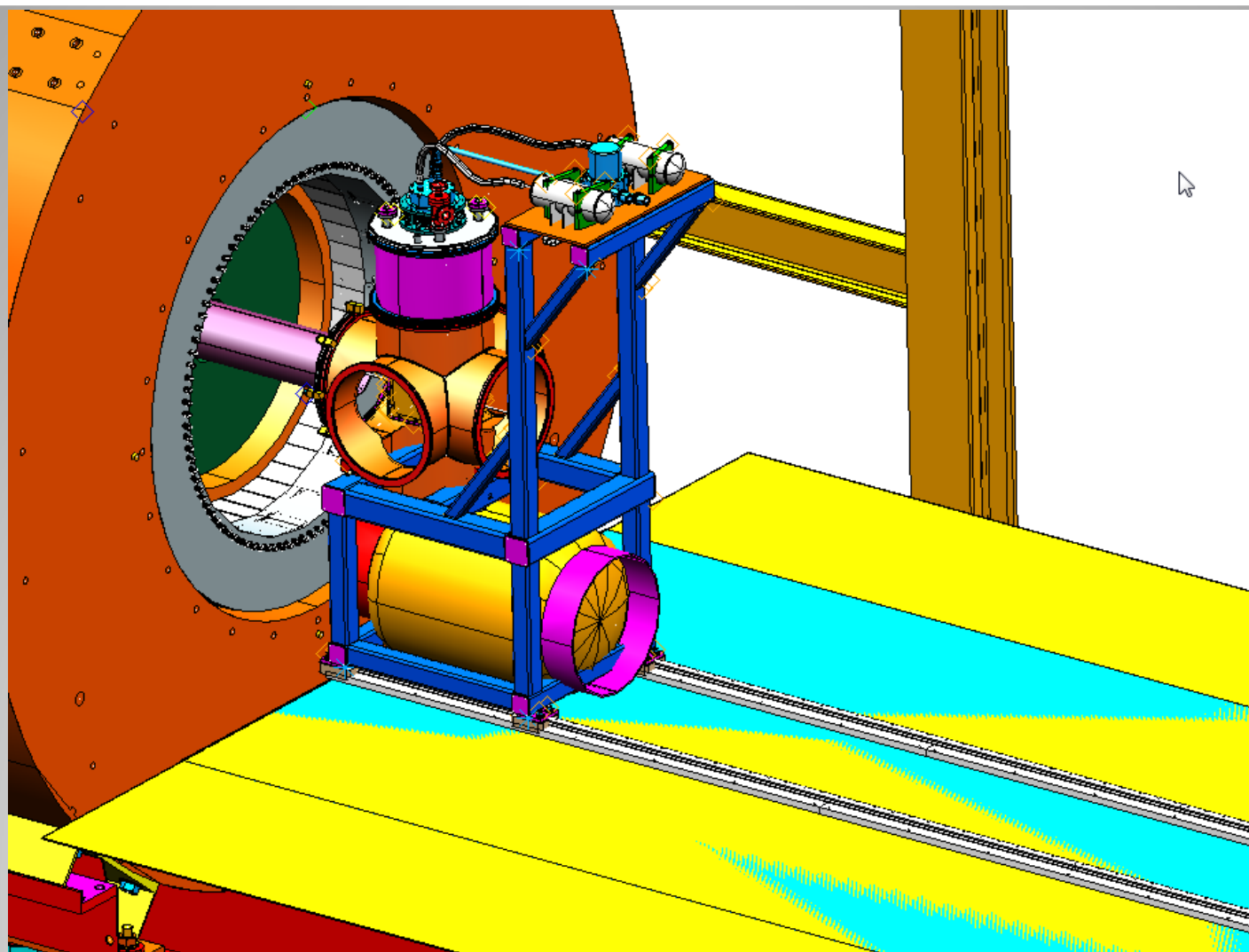


BCAL - barrel calorimeter
FCAL - forward calorimeter

CDC - central drift chamber
FDC - forward drift chambers

TOF - time-of-flight

GlueX/Hall D Detector



Target Install

Hall D

● Complete 3D model

Upstream platform

Electronics racks

Solenoid

Truck ramp entrance

Beam

LCW Piping

Pair Spectrometer

Cryogenics platform

North Wall

AC ducts

Overhead crane

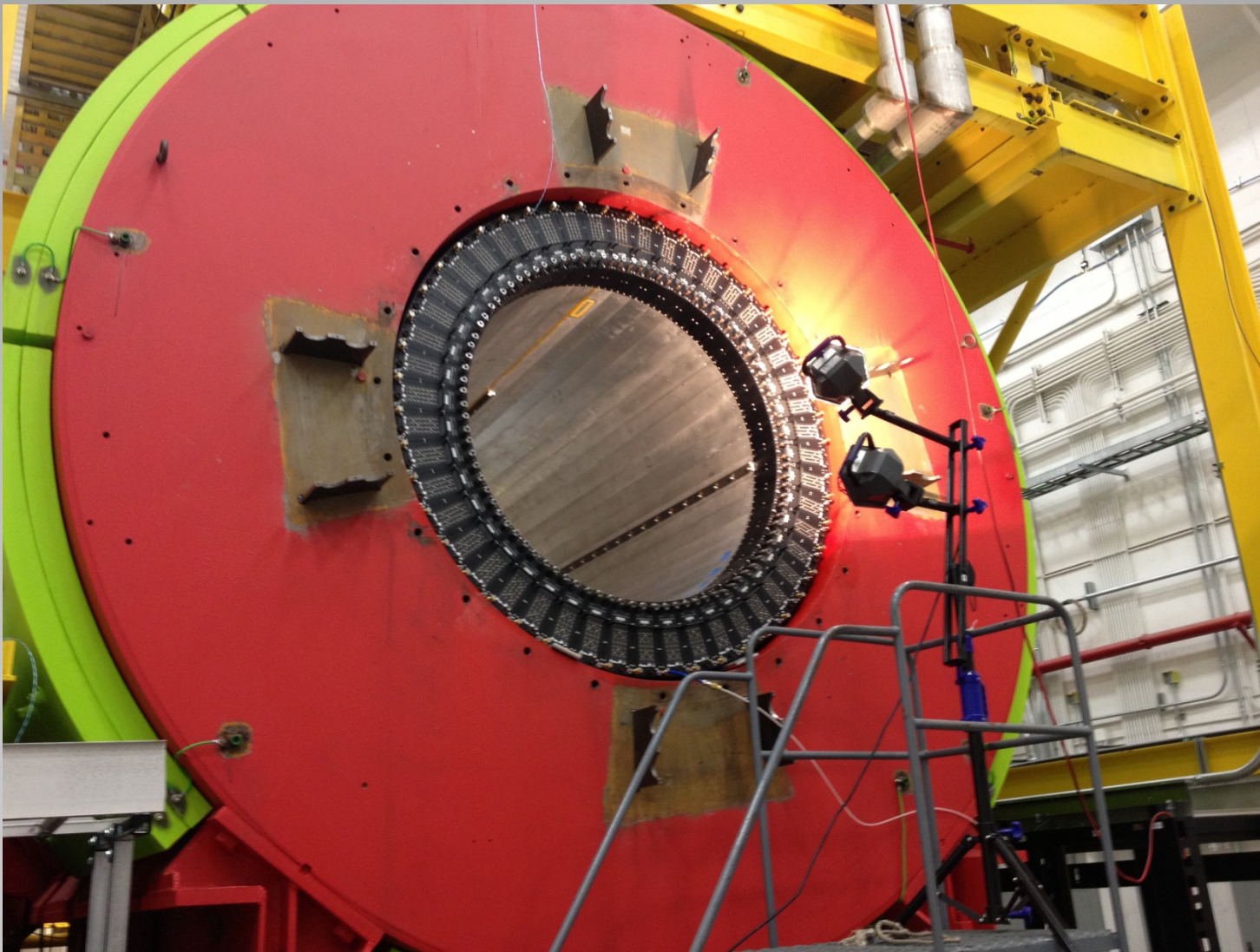
Downstream platform

Photon dump

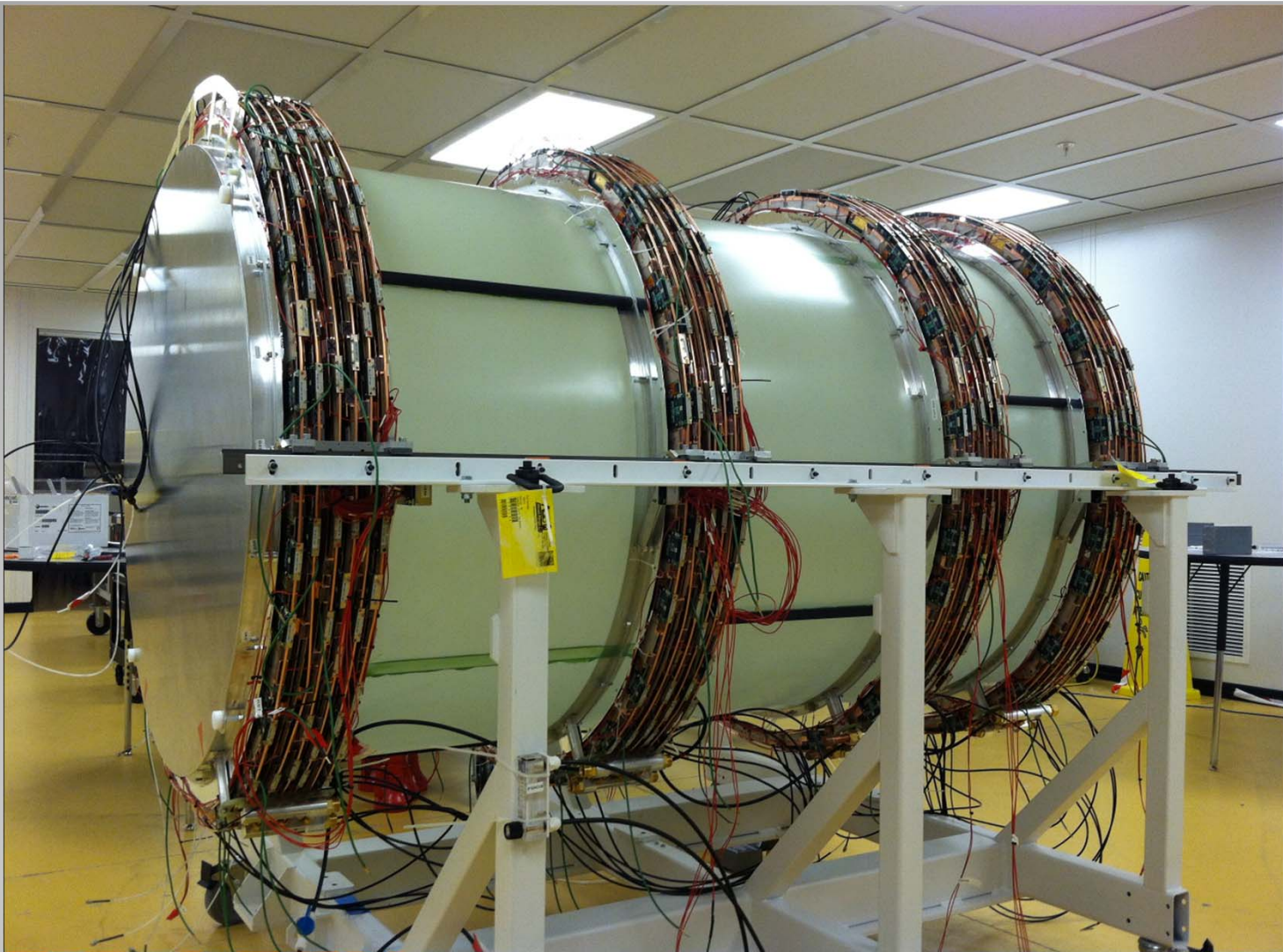




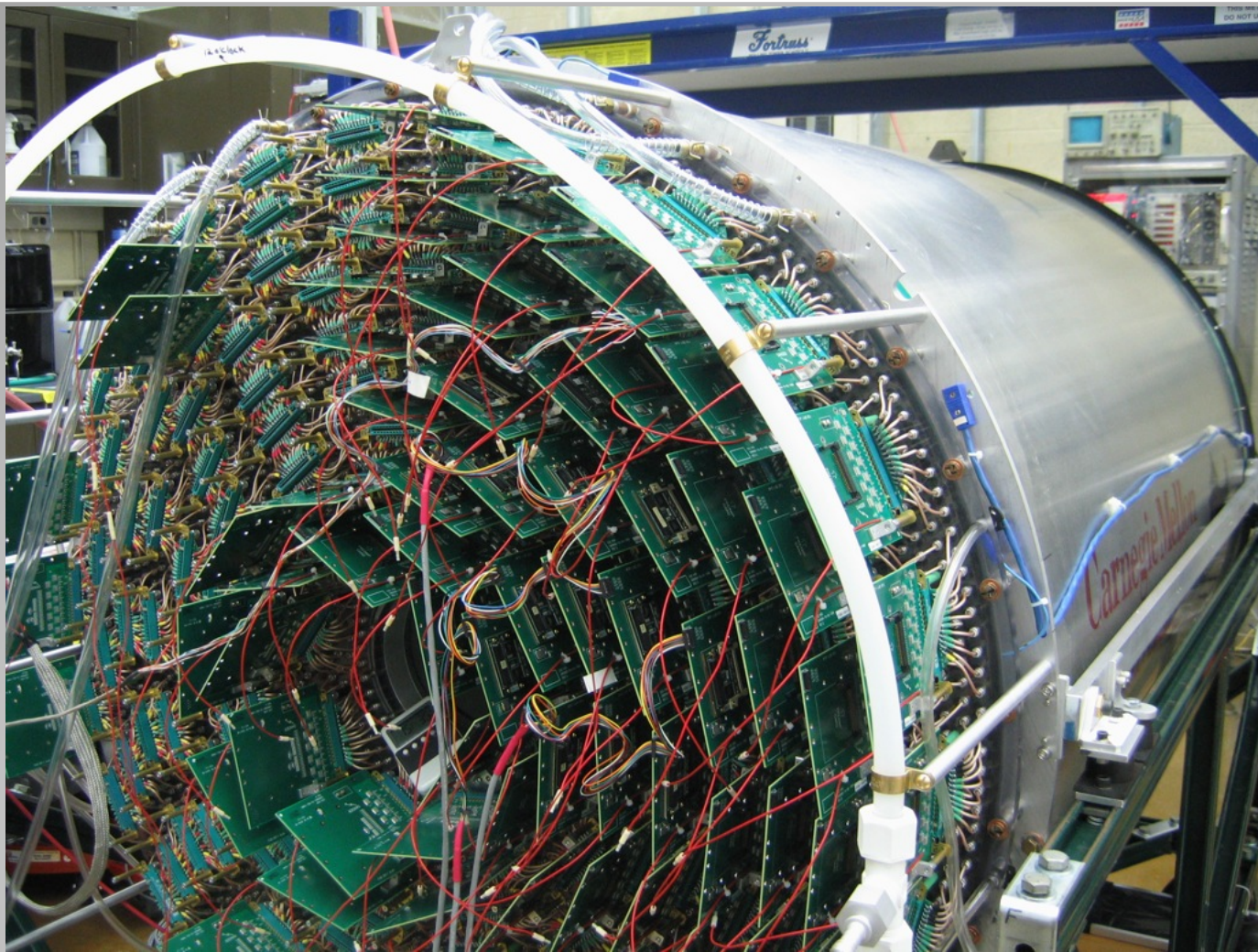
Hall D Sept 2013



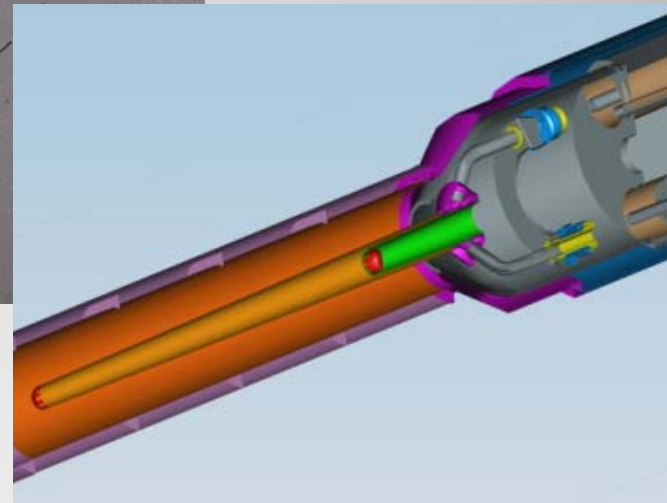
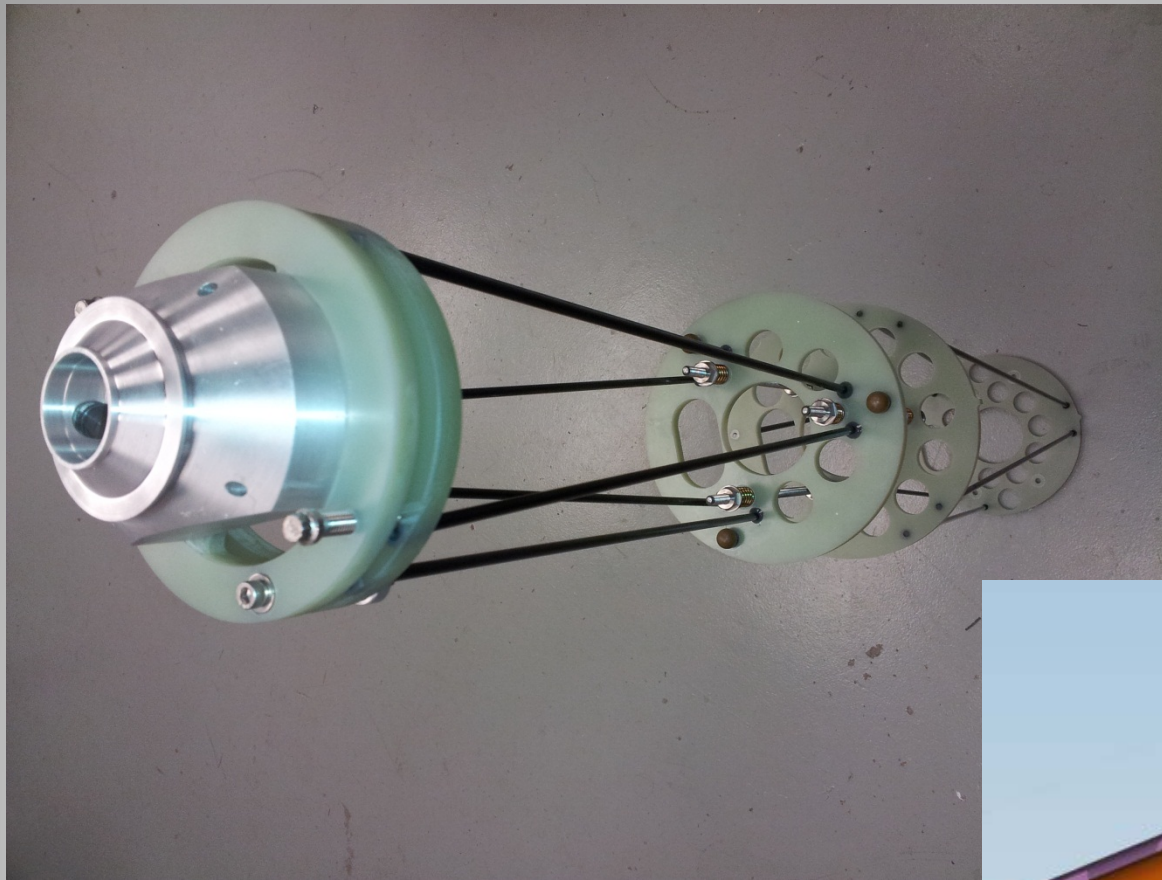
BCAL in Solenoid



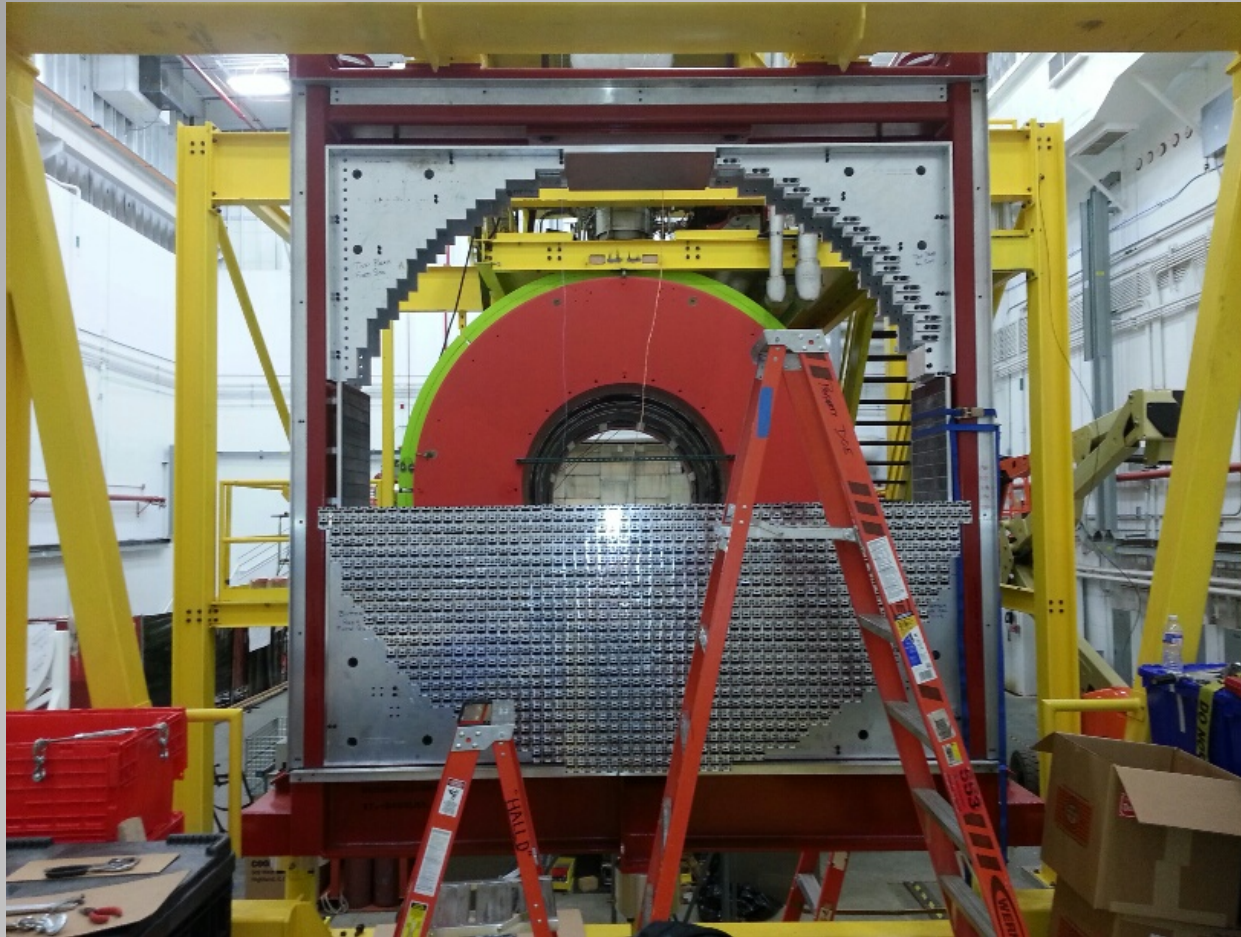
FDC ASSY



CDC ASSY

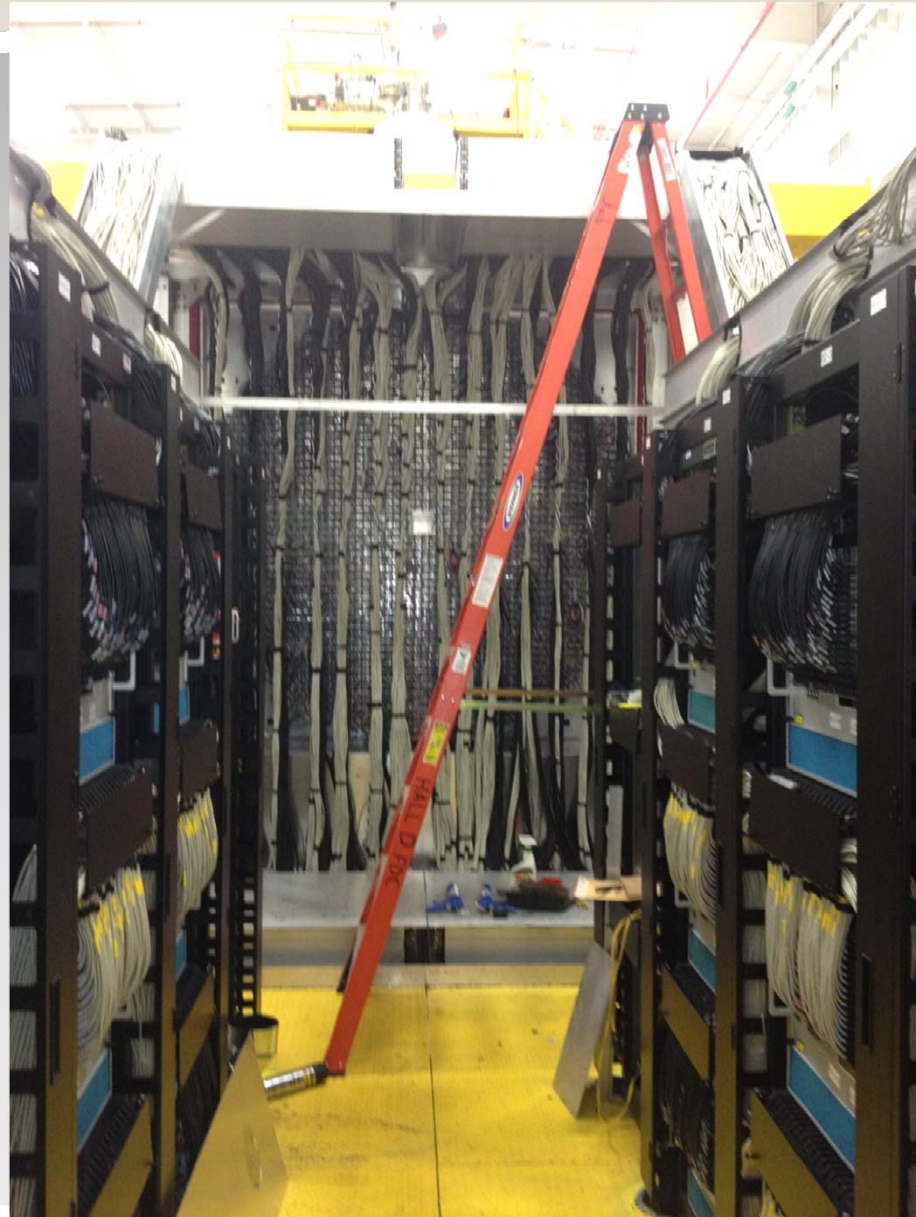


Hydrogen Target



FCAL Stacking

FCAL Inst'





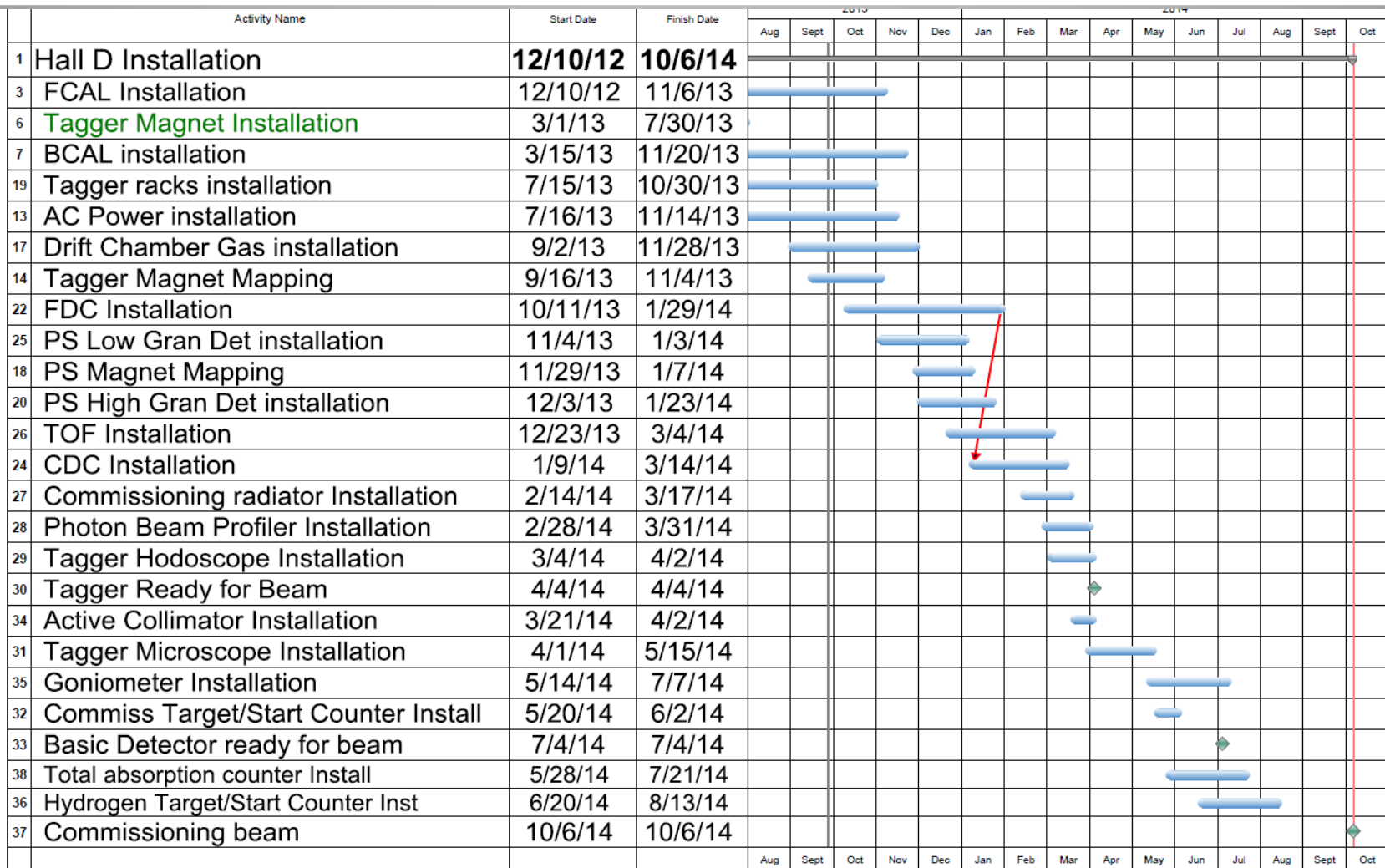
Mini TOF



Tagger Magnet Mapper



FDC/CDC/Target Rails Installed



Schedule