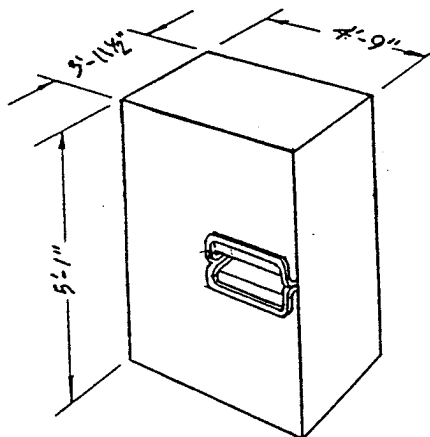


20 JL 37

MAXIMUM FIELD	17.5 KG
VOLTAGE	232V
CURRENT	900 AMPS
MEAN EFFECTIVE LENGTH (APPROX)	49.5 IN
GROSS WEIGHT	26 TONS
WATER CONSUMPTION	19 GPM
GAP	2 IN
Δ P	160 PSI
Δ T	37° F
RES OHMS	0.258 OHMS



208 kw